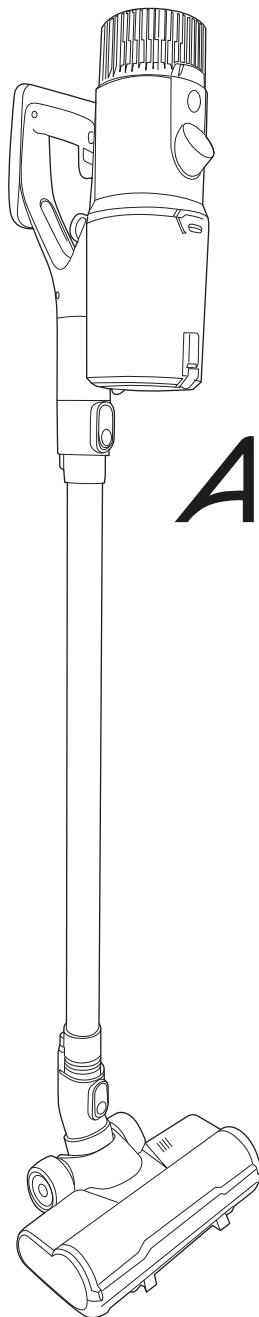


Gtech 



AirFOX

Platinum

Model: **AF01**

OPERATING MANUAL

IMPORTANT SAFEGUARDS:



**IMPORTANT: READ ALL INSTRUCTIONS BEFORE USE.
RETAIN INSTRUCTIONS FOR FUTURE REFERENCE.**



Do not use in rain or leave outdoors whilst raining.



WARNING: Basic safety precautions should always be observed when using an electrical appliance, including the following to reduce the risk of fire, electrical shock, or injury:

Personal Safety:

- Store indoors in a dry place out of the reach of children.
- Always use responsibly. This appliance can be used by children aged from 8 years and above and persons with reduced physical, sensory or mental capabilities or lack of experience and knowledge if they have been given supervision or instruction concerning use of the appliance in a safe way and understand the hazards involved.
- Don't let children play with the appliance; supervise children using or maintaining the appliance.
- Use only manufacturer's recommended attachments as described in this manual; misuse or use of any accessory or attachment other than those recommended, may present a risk of personal injury.
- Take extra care when cleaning stairs.
- Keep the appliance and accessories away from hot surfaces.
- Do not block the appliances openings or hinder air flow; keep openings free of any objects including dust, lint, clothing, fingers (and all parts of the body).
- Particularly keep hair away from the brush bar and other moving parts.

Electrical safety:

- Only use batteries and chargers supplied by Gtech.
- Never modify the charger in any way.
- The charger has been designed for a specific voltage. Always check that the mains voltage is the same as that stated on the rating plate.
- A charger that is suitable for one type of

2

battery pack may create a risk of fire when used with another battery pack; never use the charger with another appliance or attempt to charge this product with another charger.

- Before use, check the charger cord for signs of damage or ageing. A damaged or entangled charger cord increases the risk of fire and electric shock.
- Do not abuse the charger cord.
- Never carry the charger by the cord.
- Do not pull the cord to disconnect from a socket; grasp the plug and pull to disconnect.
- Don't wrap the cord around the charger when storing.
- Keep the charger cord away from hot surfaces and sharp edges.
- The supply cord cannot be replaced. If the cord is damaged the charger should be discarded and replaced.
- Do not handle the charger or the appliance with wet hands.
- Do not store or charge the appliance outdoors.
- The charger must be removed from the socket before removing the battery, cleaning or maintaining the appliance.
- Ensure the appliance is off before connecting or disconnecting the motorised brush bar.

Battery safety:

- This appliance includes Li-Ion batteries; **do not incinerate batteries or expose to high temperatures**, as they may explode.
- Liquid ejected from the battery may cause irritation or burns.
- In an emergency situation contact professional help immediately!
- Leaks from the battery cells can occur

under extreme conditions. Do not touch any liquid that leaks from the battery. If the liquid gets on the skin wash immediately with soap and water. If the liquid gets into the eyes, flush them immediately with clean water for a minimum of 10 minutes and seek medical attention. Wear gloves to handle the battery and dispose of immediately in accordance with local regulations.

- Shorting the battery terminals may cause burns or fire.
- When the battery pack is not in use, keep it away from paper clips, coins, keys, nails, screws or other small metal objects that could make a connection from one terminal to another.
- Store the battery away from any liquids and chemicals that may damage the battery and cause a risk of fire.
- Store the battery in clean, dry conditions, within a recommended temperature range of 0 - 25°C
- Do not store the battery in areas of high temperature above 25°C. Do not store near a source of heat or where exposed to direct sunlight.
- When you dispose of the appliance remove the battery and dispose of the battery safely in accordance with local regulations.

Service:

- CAUTION – to reduce the risk of injury from moving parts, remove battery before servicing.
- Before using the appliance and after any impact, check for signs of wear or damage and repair as necessary.
- Do not use the appliance if any part is damaged or defective.
- Repairs should be carried out by a service agent or a suitably qualified person in accordance with relevant safety regulations. Repairs by unqualified persons could be dangerous.
- Never modify the appliance in any way as this may increase the risk of personal injury.
- Only use replacement parts or accessories provided or recommended by Gtech.

Intended use:

- This appliance has been designed for domestic dry vacuum cleaning only.
 - Do not pick up liquids or use on wet surfaces.
 - Do not pick up anything that is flammable, burning or smoking.
 - Use only as described in this manual.
 - Don't use on concrete, tarmacadam or other rough surfaces.
 - The brush bar may damage certain floor surfaces. Before vacuuming flooring, rugs or carpets, check the flooring manufacturer's recommended cleaning instructions.
 - The product may damage delicate fabrics or upholstery. Care should be taken on loose-weave carpets and coverings or where there are loose threads. It is advised to test on an inconspicuous area first before use.
 - The product has been designed to clean a wide variety of floor surfaces without the need to change settings. However some surfaces such as delicate loose-pile rugs or carpets, tasselled rug edges or damaged carpets with exposed threads are not suitable for cleaning with a rotary brush.
 - The product has a constantly rotating brush bar. Never leave the cleaning head in one spot for an extended period of time as this may damage the floor surface.
 - Particularly for hard flooring, before vacuuming check the area being cleaned is free of any hard debris or objects that could damage the flooring if caught underneath the product, and that the underside of the product is free from foreign objects that could mark the surface.
- ### WARNING:
- **Do not use water, solvents, or polishes to clean the outside of the appliance; wipe clean with a dry cloth.**
 - **Never immerse the unit in water and do not clean in a dish washer.**
 - **Never use the appliance without the filter fitted.**
 - **Ensure the battery is removed before changing tools.**
 - **For household use only.**



Thank you for choosing Gtech

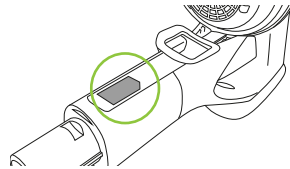
“Welcome to the Gtech family. I started Gtech to create sensible, easy to use products that do a great job, and hope you get many years of trouble-free performance from your new product.”

Nick

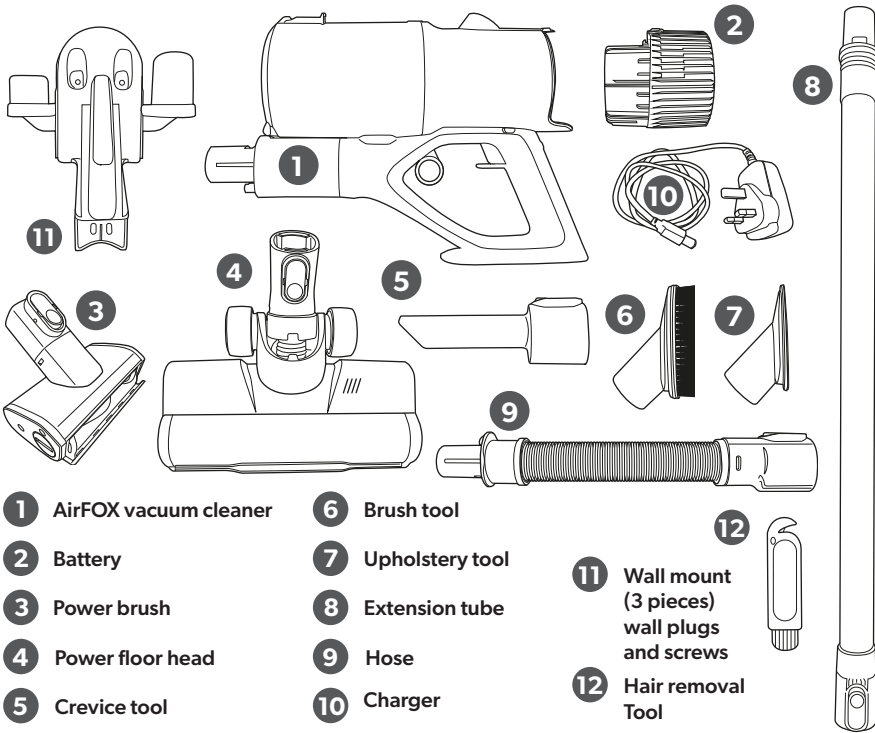
Nick Grey – Inventor, owner of Gtech

Make a note of your product serial number code for future reference. _ _ _ _ _ ~

____~
____~
____~



What's in the box



1 AirFOX vacuum cleaner

2 Battery

3 Power brush

4 Power floor head

5 Crevice tool

6 Brush tool

7 Upholstery tool

8 Extension tube

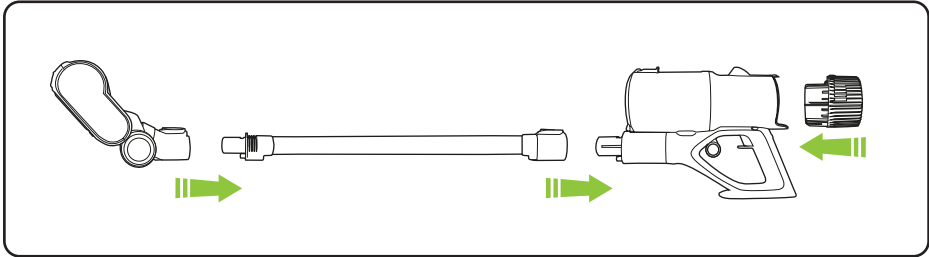
9 Hose

10 Charger

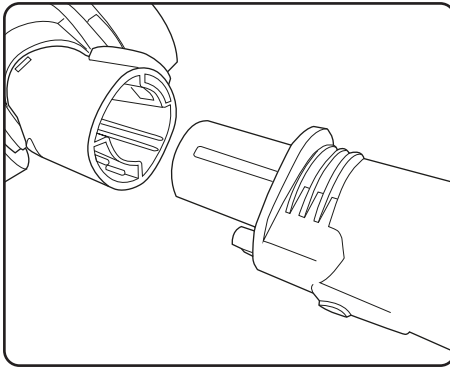
11 Wall mount
(3 pieces)
wall plugs
and screws

12 Hair removal
Tool

Assembly

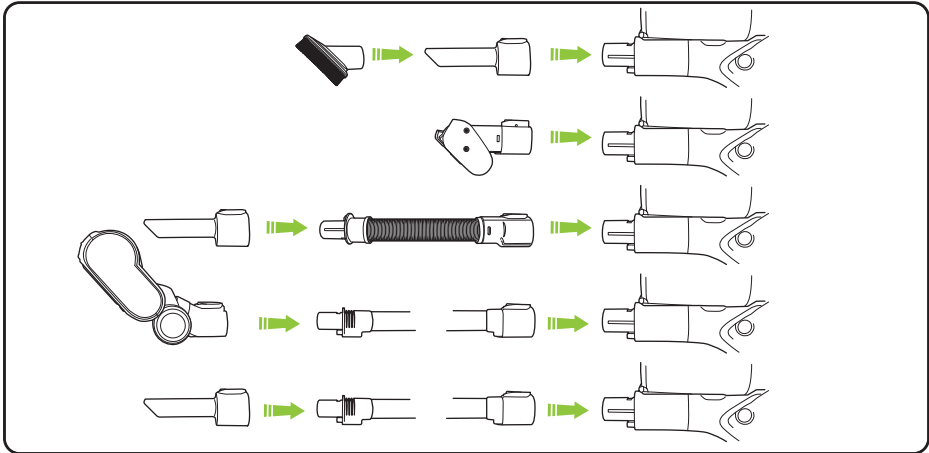


To assemble the AirFOX into floor cleaning mode, attach the Power floor head, extension tube and battery to the main vacuum.



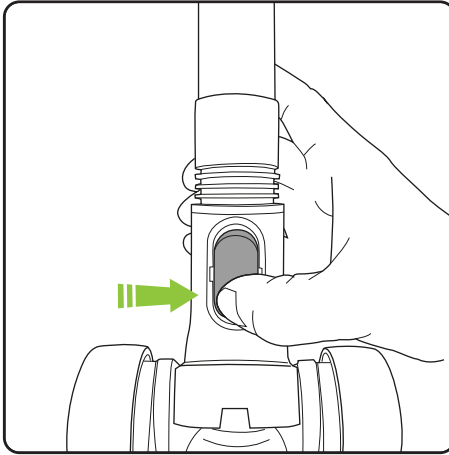
Pay attention to correctly align the connectors.

Tool configurations

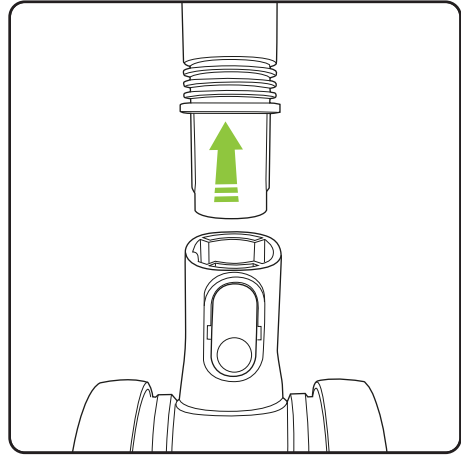


The tools can be fitted in a variety of combinations whether powered, like the floor head and power brush, or inert like the hose, brush tool, upholstery tool and crevice tool.

Power head removal

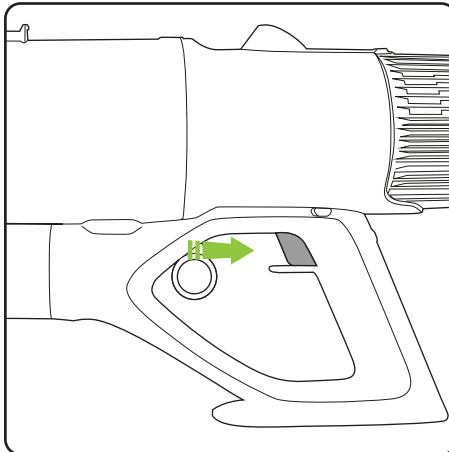


Press the latch and pull to dis-assemble the tube and accessory connections.

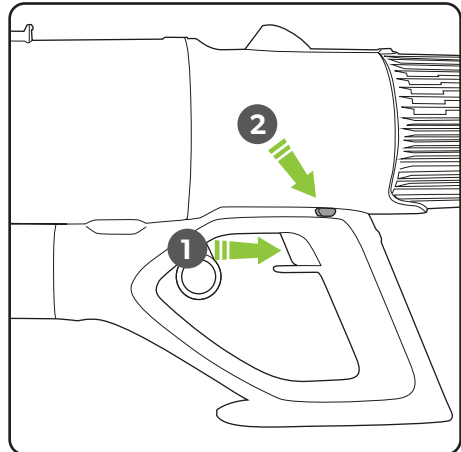


Gently pull the Power Brush from the product to remove. The battery should be removed when changing attachments.

Operation

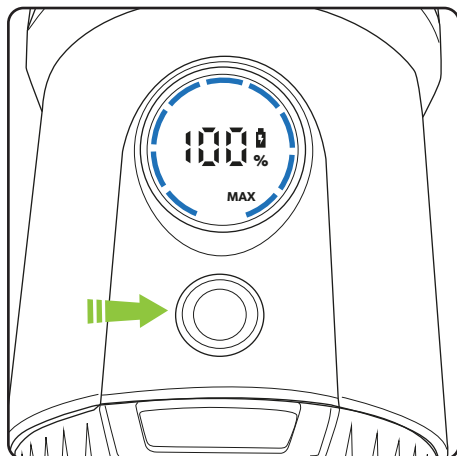


For short bursts of cleaning: press and hold the power button to switch on. Release the button to switch off.



For continuous operation: press and hold the power button to switch on; press the lock button from either side. Press the lock button in the opposite direction to switch off.

Power Mode

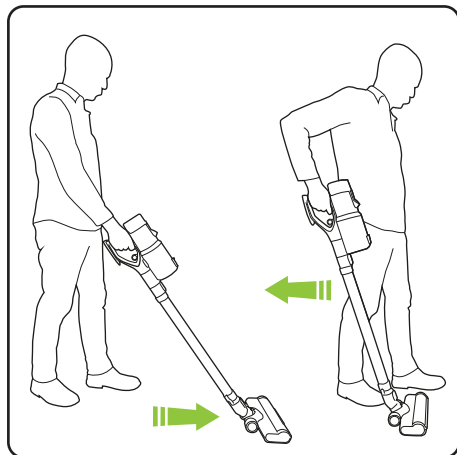


The mode button changes the power of the AirFOX. While the vacuum is running touch the mode button to cycle through the three settings.

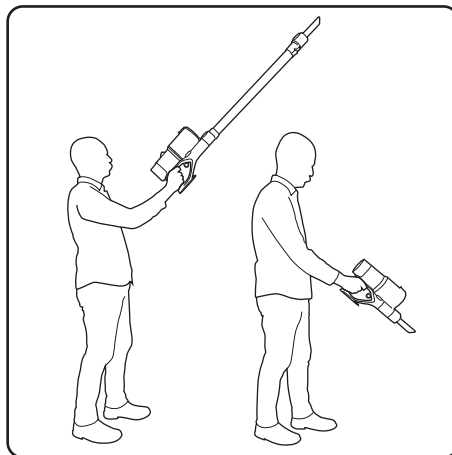


ECO – reduced power, longest run time
Auto – adjusts to optimum power for the dust load conditions
Max – high power, shortest run time

Operation

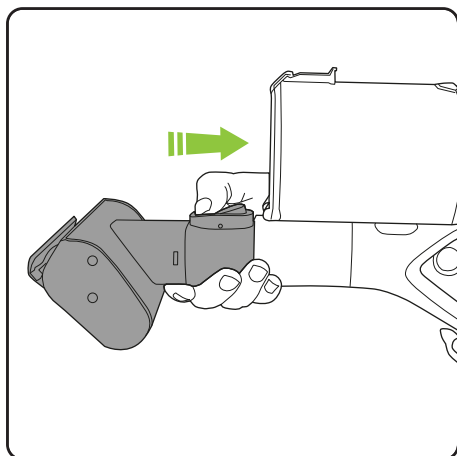


Push forward to pick up larger pieces of debris. Pulling the vacuum back towards you activates the AirLOC and picks up finer particles.

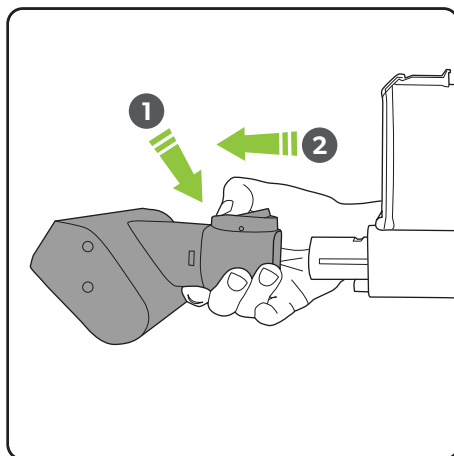


For above the floor cleaning, you can fit the crevice tool or dusting brush for reachable areas or fit the extension tube with an accessory for high up cleaning.

Power brush

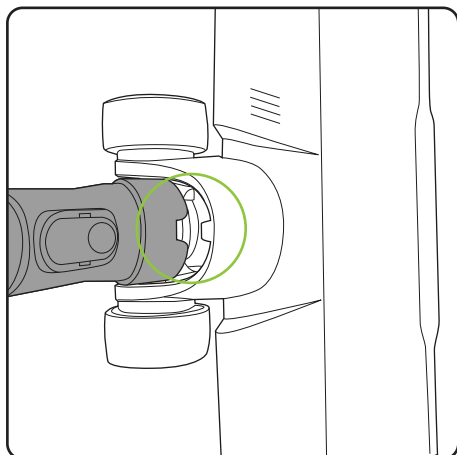


The small power brush is attached and removed in the same way as the power floor head.

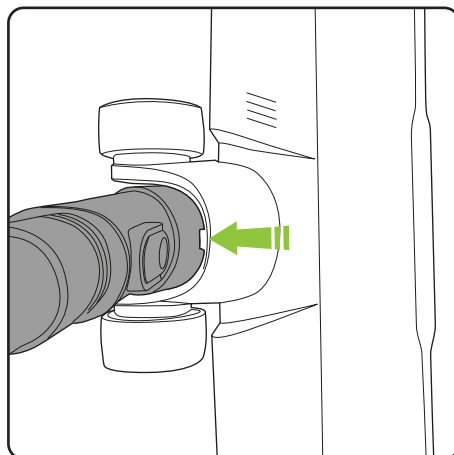


Like the power floor head, it can be attached directly to the AirFOX or to the extension tube.

“Parking” the AirFOX

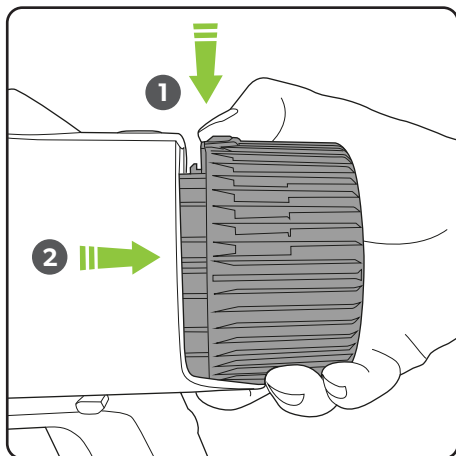


Engage the tube into the floor head when parking in the upright position.



The handle will only remain upright if the interlocking notch and gap are engaged.

Removing the battery



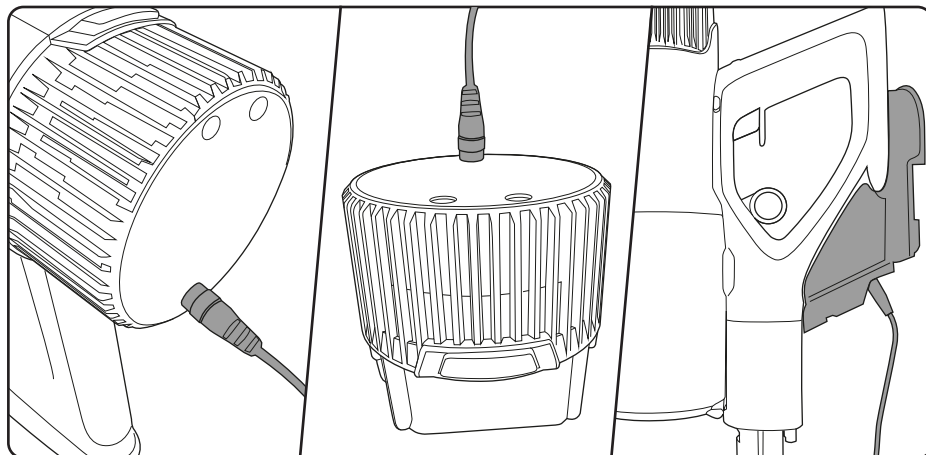
To remove the battery press the latch and pull the battery to remove from product.

Battery state of charge

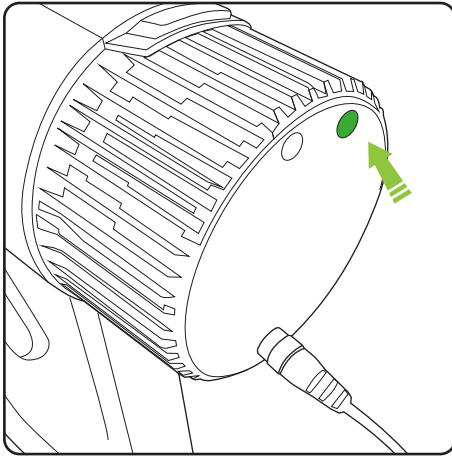


The display shows how much charge the battery has.

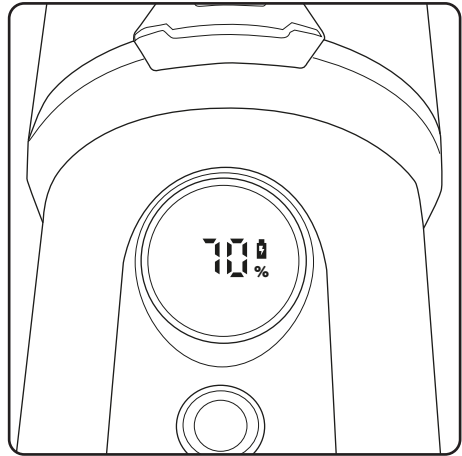
Battery charging



The battery can be charged on the unit, off the unit, or on the wall mount. The battery can also be charged via the wall mount.

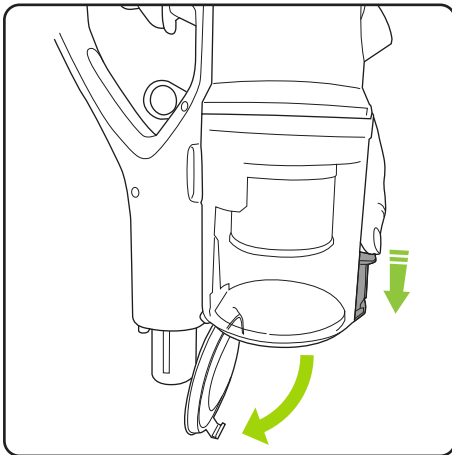


When charging the battery has a flashing green light.
When fully charged the light will be continuous green.



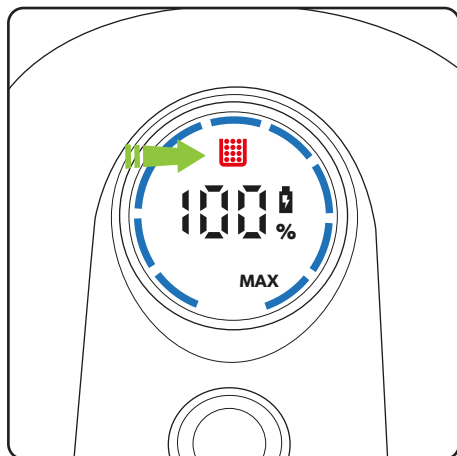
If on the unit the display will show the capacity during charging.

Emptying the bin

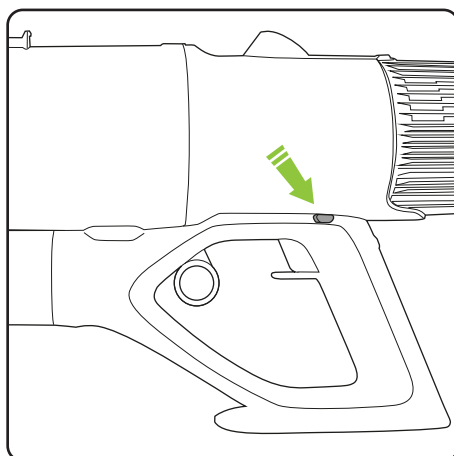


Hold the product over a rubbish bin and release the latch to empty the dirt. A gentle tap each time you empty the bin will help remove excess debris.

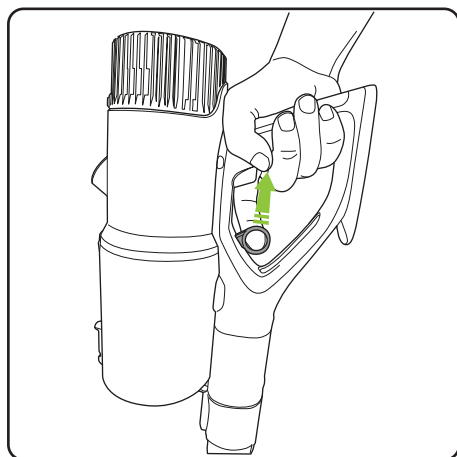
Cleaning the filter



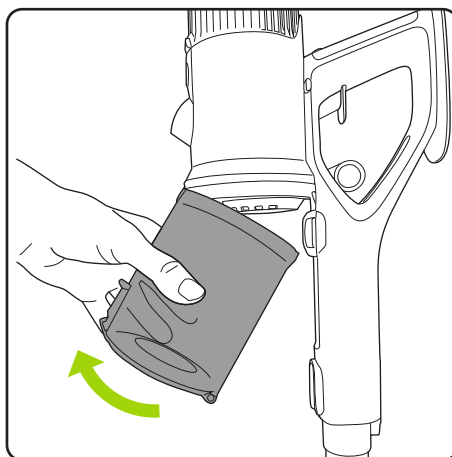
If the display indicator flashes red and the product powers off during use the filter might need cleaning.



Release the lock button if necessary to power off and reset the display. Remove the battery.

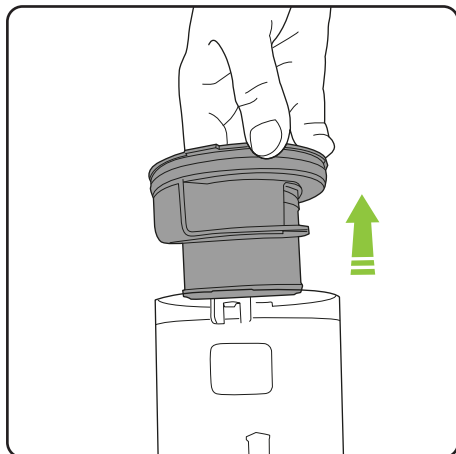


Pull the lever...

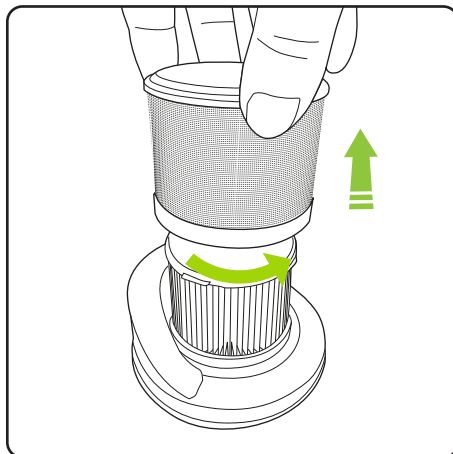


... and lift the dust bin away from the product.

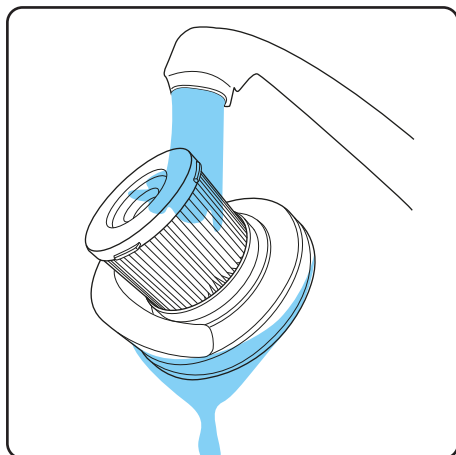
Cleaning the filter



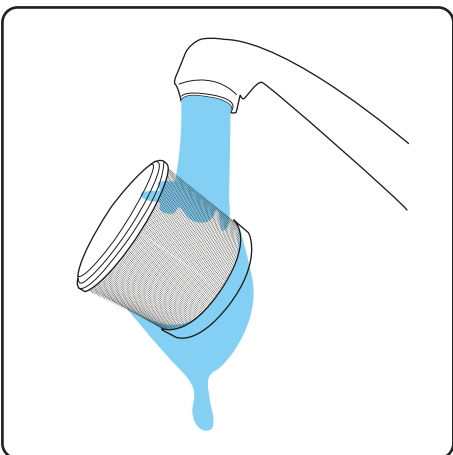
Remove the filter assembly from the bin.



Twist to release the metal shroud and pull away from the filter.

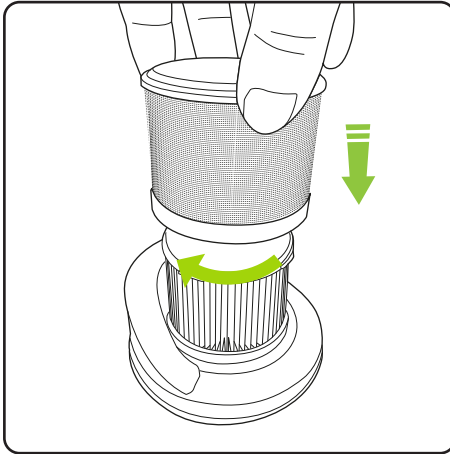


Tap the filter to remove any loose debris. The filter can be gently brushed but do not rub or scrub excessively.

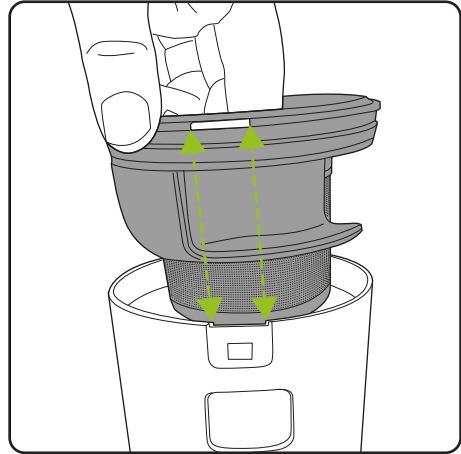


Wash both the filter and filter shroud under a tap with cold water.

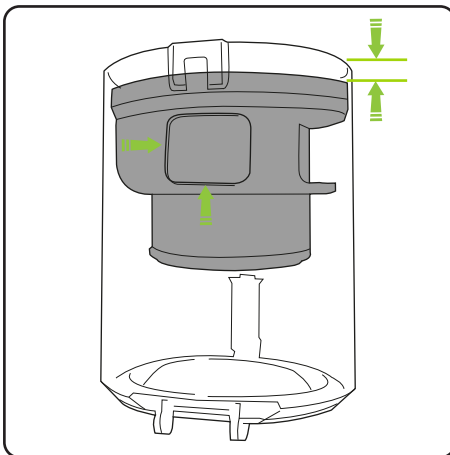
Not suitable for a washing machine or tumble dryer. Dry the filter completely before re-fitting.



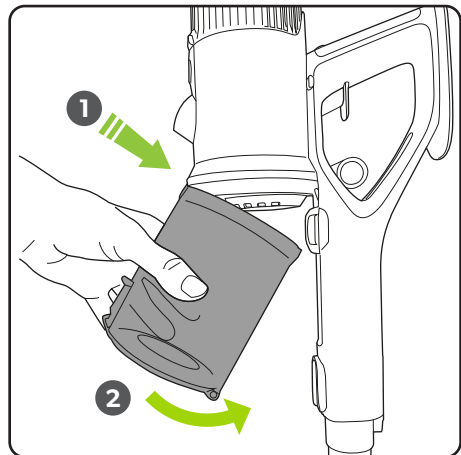
Push the metal shroud onto the filter and twist to lock in place.



Return the filter assembly to the bin, lining up the tab on the filter with the recess in the bin.



...checking it is correctly aligned.



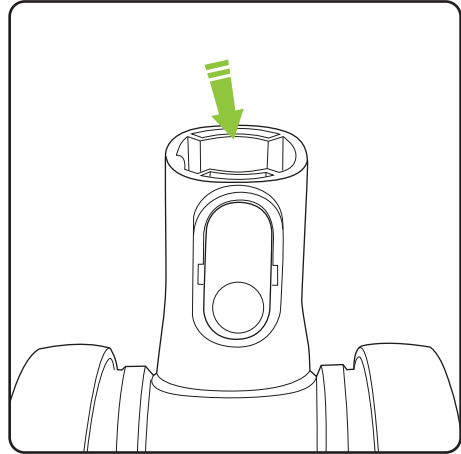
Locate the dust bin onto the product and push until it clicks into place.

Never use the product without the filter fitted as you could damage the motor.

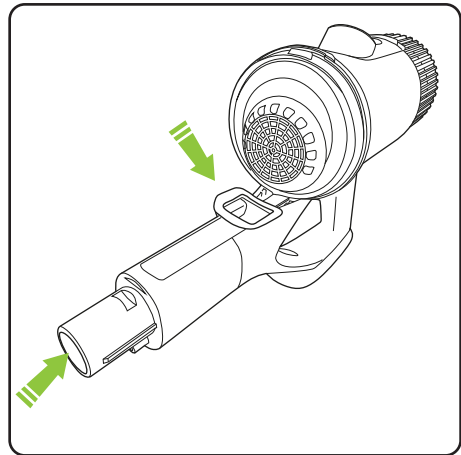
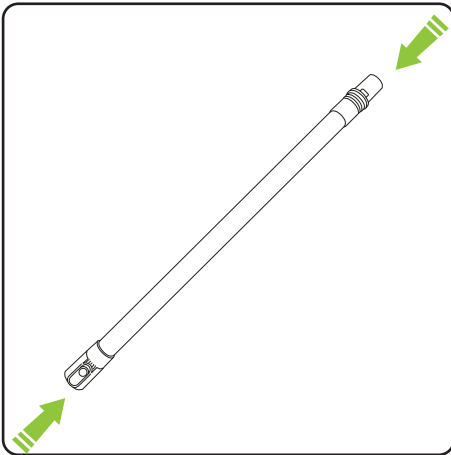
Clearing Blockages



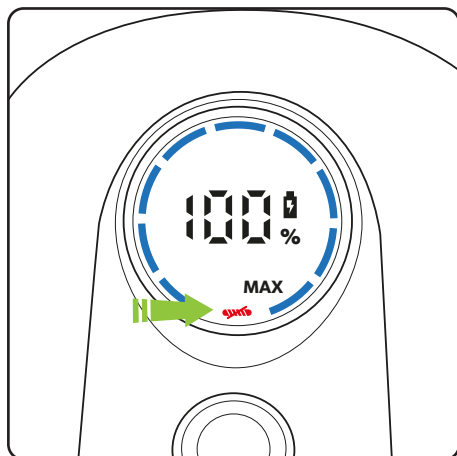
If the suction is low or if the display indicator flashes red and the product powers off during use there may be a blockage. Release the lock button if necessary to power off and reset the display. Remove the battery.



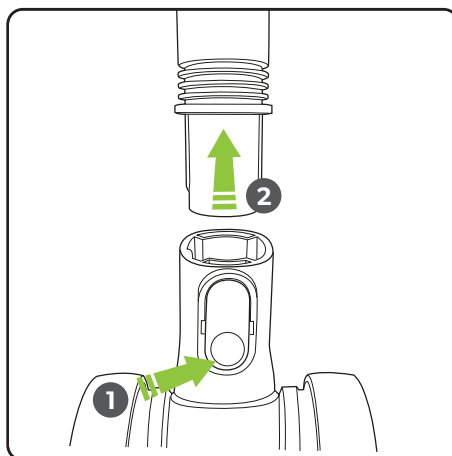
Remove the tube, floor head, dust bin, and any accessory tools and check through the openings for any blockages.



Removing and cleaning the brush bar

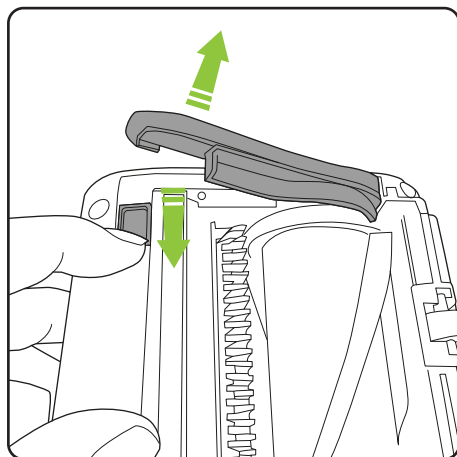


If the brush bar jams during use the display indicator will flash red and the product will power off. Release the lock button if necessary to power off and reset the display. Remove the battery.

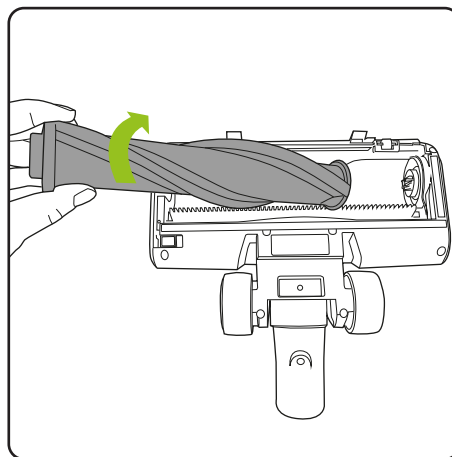


Before re-starting clear the obstruction and remove and clean the brush bar if necessary.

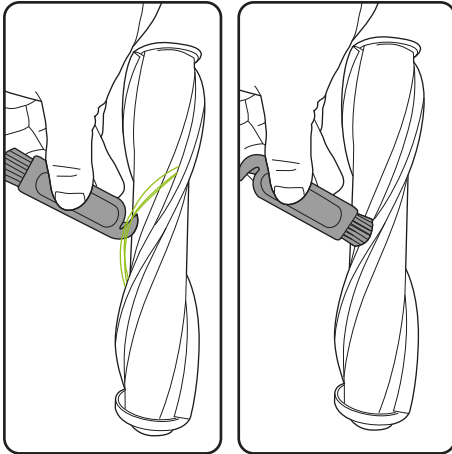
Removing the brush bar



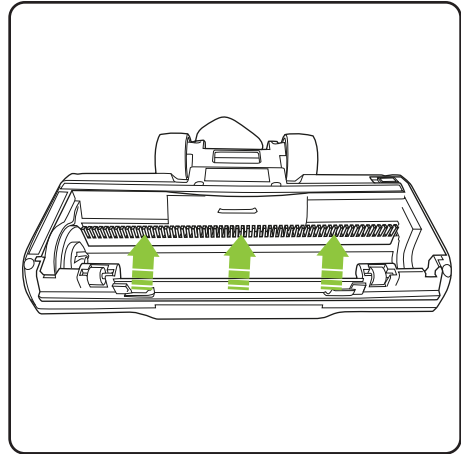
Slide the latch button inwards until the end plate disengages, then remove the end plate.



The brushbar rotates up and out, and can be removed for cleaning.

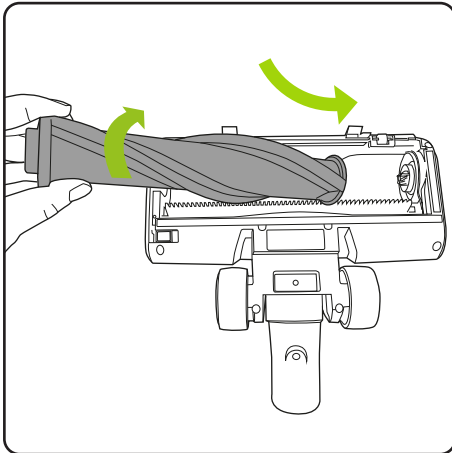


The hair removal tool helps you cut any hair that may become wrapped around the brushbar. Never operate the product without the brush bar in place.

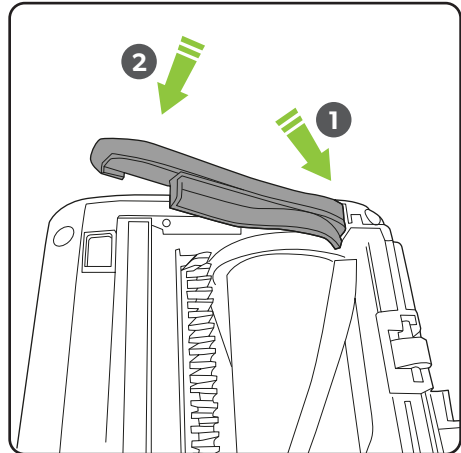


While the brush bar is removed you can take the opportunity to remove any hair from the brush bar housing comb as indicated.

Replacing the brush bar

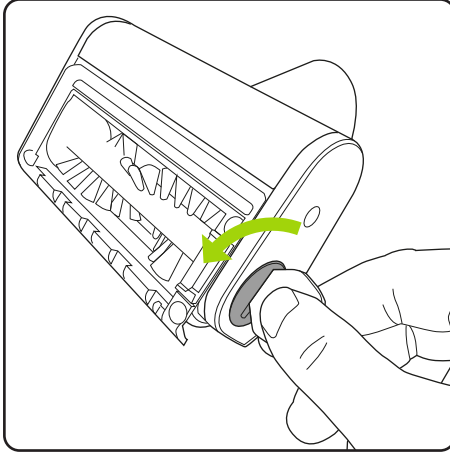


Push the brushbar back into place, drive end first.

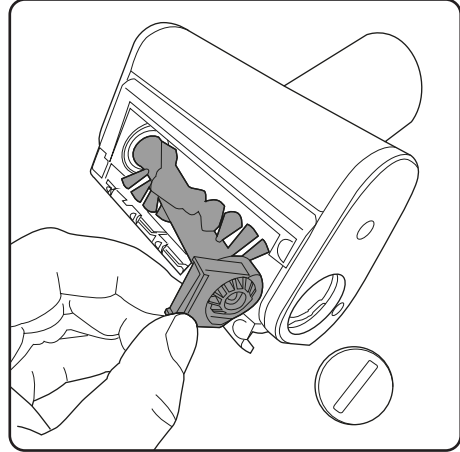


Push the latch into the slot by the brushbar then clip into place.

Removing the small power head brushbar

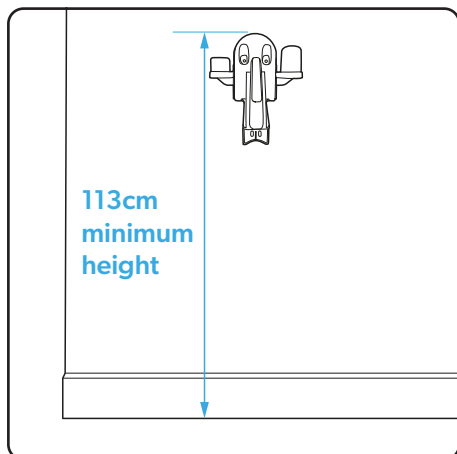


Using a coin or similar implement turn the end cap until it unlocks and remove it.

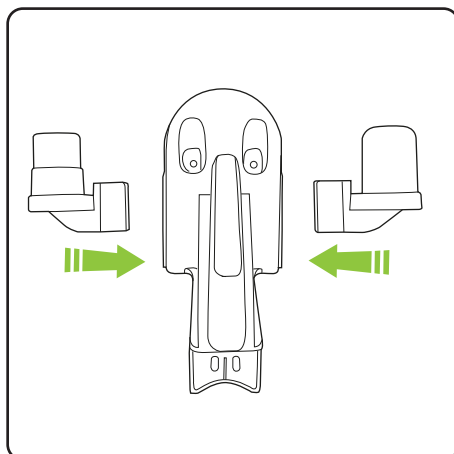


The brushbar can then be easily removed and cleaned.

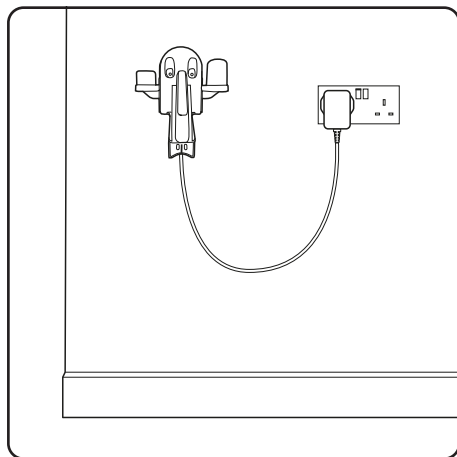
Wall mount



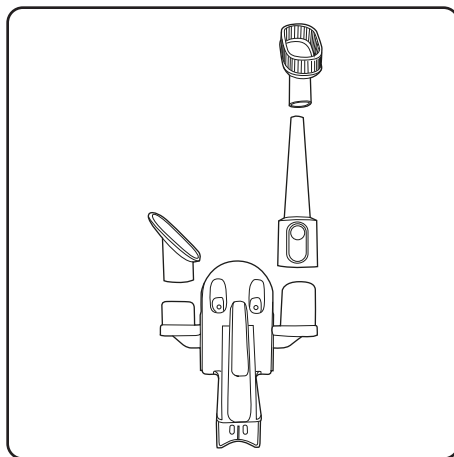
Install your wall mount at least 113cm from the floor. Screws and wall plugs have been included. Recommended drill size 6mm. Check the wall area is free of water pipes or electrical cables. If unsure seek professional advice.



The wall mount will need a small amount of assembly on attaching to the wall.



Consider position to be near a mains power socket if want to charge on the wall mount.



The tools can be stored like this on the wall mount.



Product Care

Your product doesn't need much maintenance: keep the filter clean, check for blockages, remove hair from the brushbar and charge the battery. Wipe it with a dry cloth if it gets dirty, including the area under the bin. Never wash it with liquid, run it under a tap or use it without the filter.

To maintain optimum battery life store the battery in clean, dry conditions, within a recommended temperature range of 0 - 25°C. Do not store the battery in areas of high temperature above 25°C. Do not store near a source of heat or where exposed to direct sunlight.

If the product will be stored for longer periods of time without use it is recommended to fully charge the battery before storage to help maintain its condition and life.

Troubleshooting

<p>Product is not cleaning well</p>	<ol style="list-style-type: none"> 1. Empty the bin 2. Check bin is correctly fitted 3. Check filter is correctly fitted 4. Clean the holes in the filter shroud 5. Clean and/or replace filter (See page 12) 6. Check for blockages 7. Check brush bar fitment 8. Clean and/or replace brush bar
<p>Product has stopped or won't work – 0% on display</p>	<ol style="list-style-type: none"> 1. Battery is fully discharged 2. Recharge the battery
<p>Product has stopped or won't work – flashing red filter indicator</p>	 <ol style="list-style-type: none"> 1. Clean the holes in the filter shroud 2. Clean and/or replace filter (See page 12) 3. Check for blockages (See page 14)
<p>Product has stopped or won't work – flashing red brush bar indicator</p>	 <ol style="list-style-type: none"> 1. The brush bar is blocked or jammed (see page 15) 2. Clear debris from the brush bar (See page 16) 3. Remove and clean brush bar (See page 16)
<p>Battery will not charge – no flashing green light</p>	<ol style="list-style-type: none"> 1. Check the charger is correctly connected to the battery or wall mount. 2. Check the product is well seated on the wall mount. 2. Check the charger is correctly connected to the mains supply. 3. Check mains power socket is switched on. 4. Try another mains power socket.

Product support

If these initial tips do not solve your problem we please visit our support area where you can find troubleshooting help including online manuals, FAQs and how-to-videos, as well as genuine spares and replacement parts compatible with your product.

Visit: www.gtech.co.uk/support



Online



Live chat support



support@gtech.co.uk



How to Videos

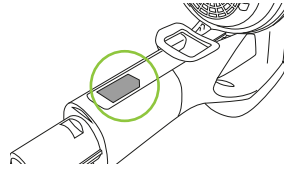
GTECH MULTI TECHNICAL SPECIFICATION

Battery model	271A001
Battery	37V Li-Ion
Charging period	5 hours
Battery charger output	42V DC 0.5A
Weight (with floor head)	2.9kg

WARRANTY – REGISTRATION

Visit www.gtech.co.uk/warrantyregistration to register your product to ensure that we have all the information required to provide you with quick and efficient support.

You will need your product's serial code.



If you purchased directly from Gtech, your details are already registered and your 2-year warranty will start automatically.

If you purchased from an authorised Gtech retailer, please register your warranty within 3 months. You will need to provide proof of purchase to support any claim(s) against your warranty.

WARRANTY – TERMS AND CONDITIONS

If your product is within its warranty and has a fault that cannot be resolved from the troubleshooting section or online support, please do the following:

- Contact our Gtech Customer Care Helpline on UK: 08000 308 794, who will go through any troubleshooting with you to identify the fault.
- If your fault can be resolved by a replacement part, this will be sent to you free of charge.
- Following troubleshooting, if your product needs to be replaced, we will arrange collection of your faulty product for inspection, and delivery of a replacement product free of charge.

Your product is guaranteed against material or manufacturing faults for 2 years from the date of purchase (or the delivery date if this is later) subject to the following terms and conditions:

SUMMARY

The guarantee becomes effective at the date of purchase (or the date of delivery if this is later). If a product is repaired or replaced during the warranty period, the warranty period is not started again.

- You must provide proof of delivery/purchase before any work can be carried out on the product. Without this proof, any work carried out will be chargeable. Please keep your receipt or delivery note.
- All work will be carried out by Gtech or its authorised agents.
- Any parts which are replaced will become the property of Gtech.
- The repair or replacement of your product is under guarantee and will not extend the period of guarantee.
- The guarantee provides benefits which are additional to and do not affect your statutory rights as a consumer.

WHAT ISN'T COVERED

Gtech does not guarantee the repair or replacement of a product as a result of:


- Normal wear and tear (e.g. drive belt, brush bar, batteries).
- Use of consumables (e.g. dust bags and cartridges)
- Accidental damage, faults caused by negligent use or lack of care and maintenance, misuse, neglect, careless operation or handling of the product which is not in accordance with operating manual.
- Blockages. Please refer to the operating manual for details of how to unblock your product.
- Use of the product for anything other than the normal domestic household purposes.
- Use of parts and accessories which are not Gtech genuine components.
- Faulty installation (except where installed by Gtech)
- If it is modified in any way.
- Repairs or alterations carried out by parties other than Gtech or its authorised agents.
- Purchasing your product from an unofficial third party (i.e. not from Gtech or an official Gtech retailer).
- If you are in doubt as to what is covered by your guarantee, please call the Gtech Customer Care Helpline on UK: 08000 308 794

International orders are subject to a delivery charge for both faulty and non faulty products.



Product Recycling

Many of the electrical items that are thrown away can be repaired or recycled, saving natural resources and helping to protect the environment.

Gtech products are marked with the  symbol indicating they can be recycled, and are covered by legislation for Waste Electrical and Electronic Products (2012/19/EU)

When the product has reached the end of its life both it and the Li-Ion battery it contains should not be disposed of with general household waste. The battery should be removed from the product and both should be disposed of separately at a recognised recycling centre.

Recycling electrical products and batteries is free at your local recycling centre.

To find your nearest centre and discover how easy it is to recycle electrical products visit

www.recycle-more.co.uk

Alternatively contact your local council or civic amenity site.

UK
CA

CE



FOR HOUSEHOLD USE ONLY



Grey Technology Limited

Brindley Road, Warndon, Worcester WR4 9FB, UK

email: support@gtech.co.uk

telephone: 08000 308794

www.gtech.co.uk

CPN5615