



Hair Dryer

DryOnic

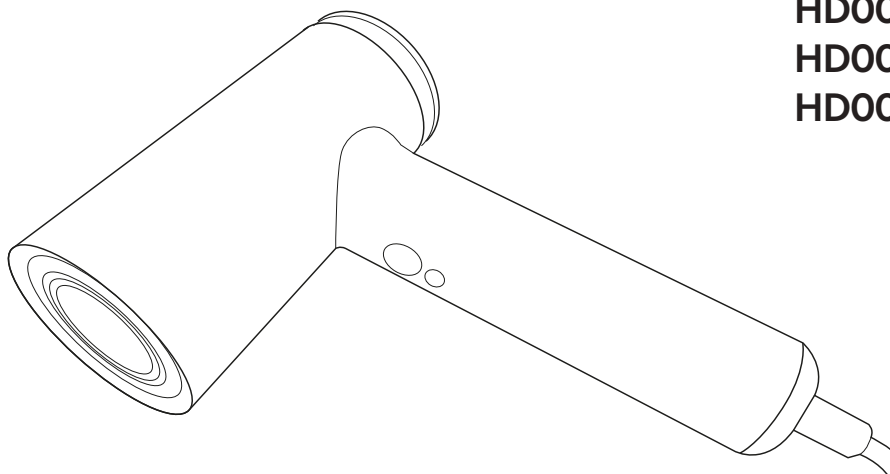
Model numbers:

HD001

HD002

HD008

HD009



OPERATING MANUAL

IMPORTANT SAFEGUARDS:



IMPORTANT: READ ALL INSTRUCTIONS BEFORE USE. ONLY USE AS DESCRIBED WITHIN THIS MANUAL. RETAIN INSTRUCTIONS FOR FUTURE REFERENCE.



WARNING: Do not use this device near baths, showers, sinks or any other vessels containing water.



WARNING: Basic safety precautions should always be observed when using an electrical appliance, including the following to reduce the risk of fire, electrical shock, or injury:

- To avoid danger of suffocation keep the packaging (polyethylene bags, boxes etc) away from children. They may be hazardous if they play with them
- This appliance can be used by children aged from 8 years and above and persons with reduced physical, sensory, or mental capabilities, or lack of experience and knowledge, only if they have been given supervision or instruction concerning safe use of the appliance by a person responsible for their safety, and understand the hazards involved.
- Do not allow to be used as a toy. Children should be supervised to avoid playing with the appliance.
- Cleaning and maintenance shall not be carried out by children without supervision.
- ALWAYS keep out of reach of children (during and after use and whilst cooling).
- Always take extra care if used on children or near children.
- Do not use on very young children.
- **WARNING! THIS APPLIANCE GETS HOT!** Hold by the handle. Do not hold the case or nozzle which can become hot during use. Allow to cool before touching.
- Take care to avoid the hot surfaces of the appliance coming into direct contact with the skin, in particular the ears, eyes, face, and neck.
- Never look directly into the barrel of the hairdryer when it is switched on.
- While using keep hair way from the air inlet.
- Take care that the air inlet does not become blocked during use. Check regularly that it is clean and free of dust, lint, hair, and any other debris.
- Do not use any sprays (for example hairspray) near the hairdryer while it is in use.
- To avoid overheating, do not leave the appliance plugged in. Always switch off the unit after use and unplug from the mains socket.
- Do not leave the appliance unattended when it is switched on or plugged in.
- Do not place the appliance on heat sensitive surfaces whilst in operation or whilst cooling after use.
- Do not cover the hairdryer with towels or other objects while in use, or after use when it is still hot.
- Never store the appliance while still hot or plugged in. Allow it to cool before storing away.
- Always prevent the power cord coming into contact with hot parts of the appliance, even when it is unplugged.
- Keep the appliance and accessories away from hot surfaces.
- Do not use this appliance near basins, baths, showers, sinks or any other vessels containing water.
- If using the appliance in a bathroom, unplug after use as the proximity of water can be dangerous even if the appliance is switched off.
- For additional protection the installation

of a residual current device (RCD) with a rated residual operating current not exceeding 30mA is advisable in the electrical circuit supplying the bathroom. Contact a qualified electrician for further advice.

- Do not immerse the appliance in water or any other liquids.
- Prevent the appliance from coming into contact with water or any other liquids.
- Do not store near water or any other liquids.
- If the unit accidentally falls into water or any other liquid, **DO NOT ATTEMPT TO PICK IT UP**, immediately switch off at the socket first and unplug.
- Never handle or use the appliance or plug with wet or damp hands.
- Do not use extension cords in rooms with baths or showers.
- This unit is equipped with a safety thermostat. In the event of overheating the appliance will either stop automatically or run hot and cold intermittently. Should this happen, switch off, unplug, and allow to cool for 10 minutes. Before use, ensure the filter is clean. Plug in and switch on. If the appliance continues to overheat contact the Gtech customer care helpline.
- Ensure the mains power supply voltage is the same as that marked on the unit.
- Do not pull the cord to unplug the appliance from a socket. Grasp the plug and pull to disconnect
- Do not wrap the power cord around the appliance when storing as this may damage the cord. Coil the cord loosely by the side of the appliance.
- Do not stretch or pull the power cord. Keep the power cord away from hot surfaces.
- Never operate this appliance if the power cord is damaged or if it is not working properly. Contact the Gtech customer care helpline for further information.

- Before using the appliance and after any impact, check for signs of wear or damage.
- Do not use the appliance if any part is damaged, defective, or has been dropped. Contact the Gtech customer care helpline for further information.
- Do not attempt to carry out any maintenance or repairs that are not shown in this manual.
- Never modify the appliance in any way as this may increase the risk of personal injury.
- Only use replacement parts or accessories provided or recommended by Gtech.

Intended Use:

- **Do not use this appliance for any other purpose than drying hair.**
- **This appliance is intended for use in a household environment and for similar purposes, such as by clients in hotels, motels, and other residential type environments, and for commercial use by trained persons such as hairdressers.**
- **Use only as described in this manual. If the appliance is used in any other way than as specified by the manufacturer, safety may be compromised.**

WARNING:

- **Do not use water, solvents, or polishes to clean the outside of the appliance; wipe clean with a dry cloth.**
- **Never immerse the unit in water or any other liquids. Do not clean in a dish washer.**
- **Never use the appliance without the filter fitted.**



Thank you for choosing Gtech

"Welcome to the Gtech family. I started Gtech to create sensible, easy to use products that do a great job, and hope you get many years of trouble-free performance from your new product."

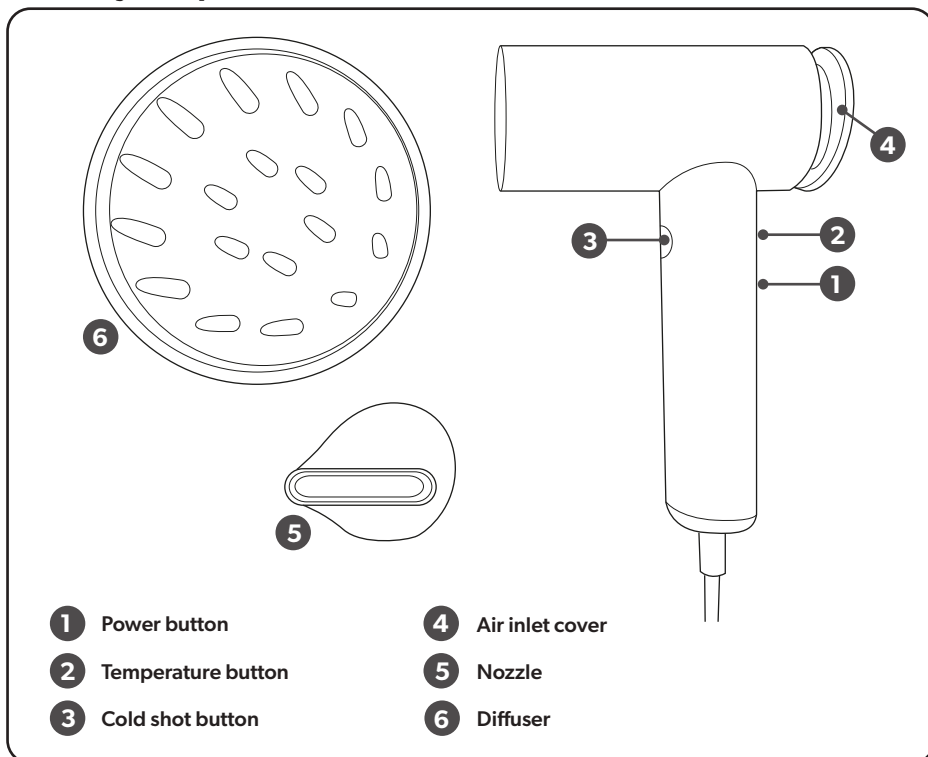
Nick Grey – Inventor, owner of Gtech

Make a note of your product serial number code for future reference.

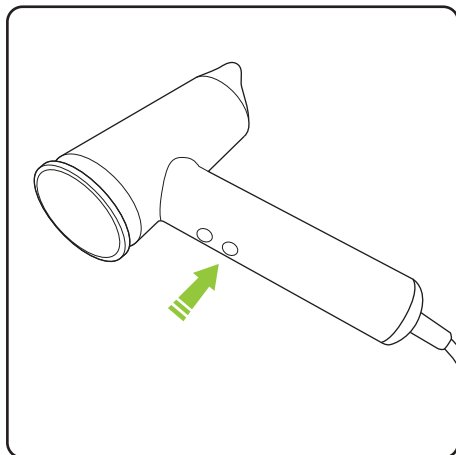
--- -- ~
--- -- ~
--- -- ~
--- -- ~



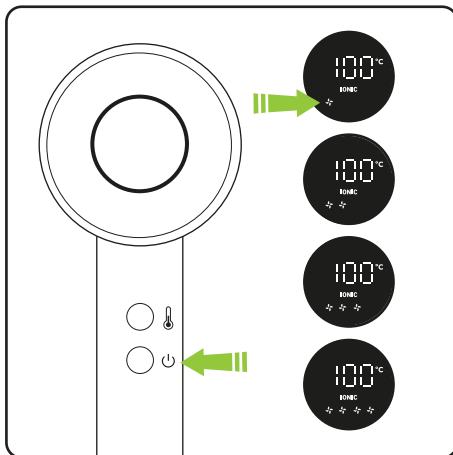
About your product



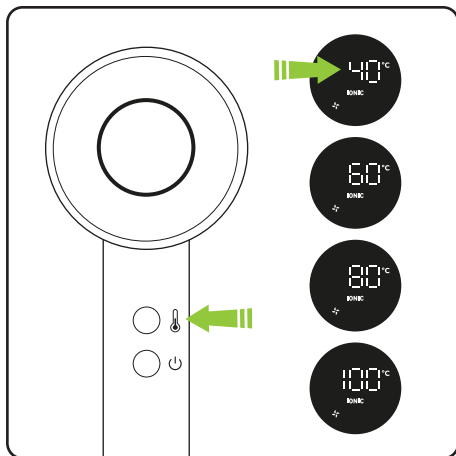
Operation



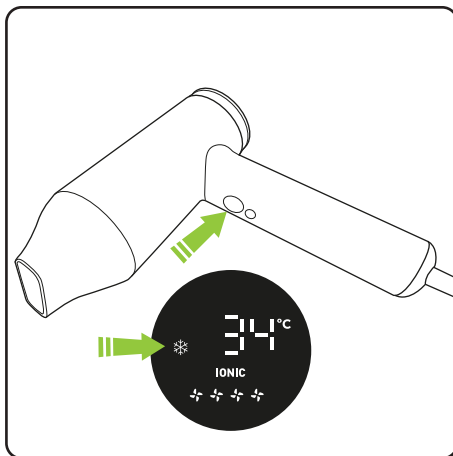
Press and hold the power button for 2 seconds to switch on. The hair dryer has a memory function and will start in the last setting used when switched off. Press and hold the power button for 2 seconds to switch off.



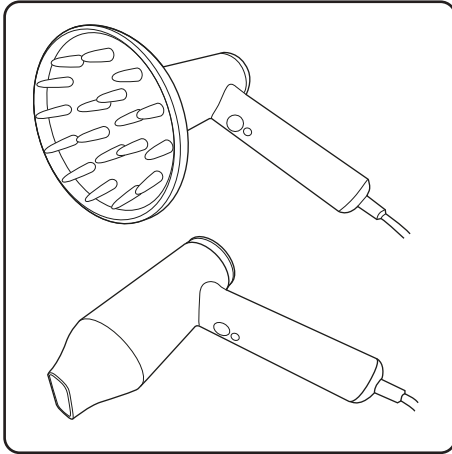
Press the power button to cycle through the 4 fan speeds
1 → 2 → 3 → 4 → 1
The fan speed is indicated on the display.



Press the temperature button to cycle through the temperature settings
40°C → 60°C → 80°C → 100°C → 40°C
The temperature is displayed on the screen.



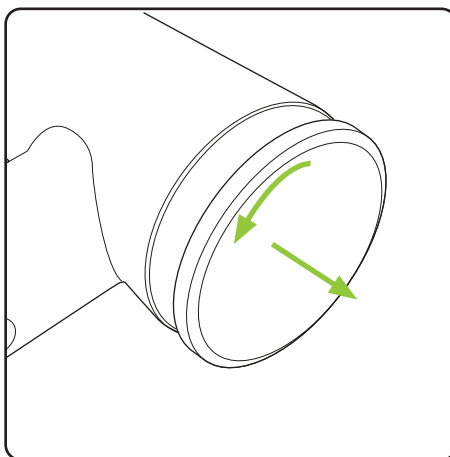
Press the cold shot button for no hot air. A snowflake symbol will be displayed on the screen. Press the cold shot button again to revert back to the previous temperature setting.



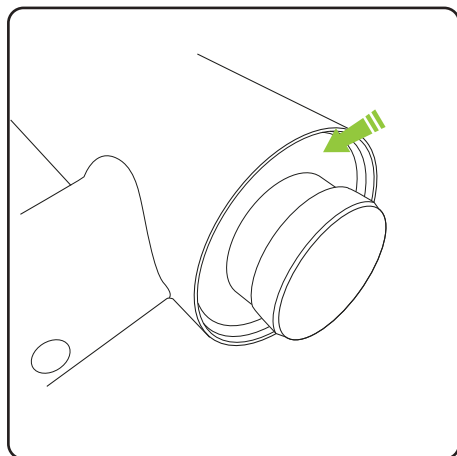
The nozzle and diffuser are magnetically attached to the front of the hairdryer. Simply place into position and pull to remove.

Cleaning

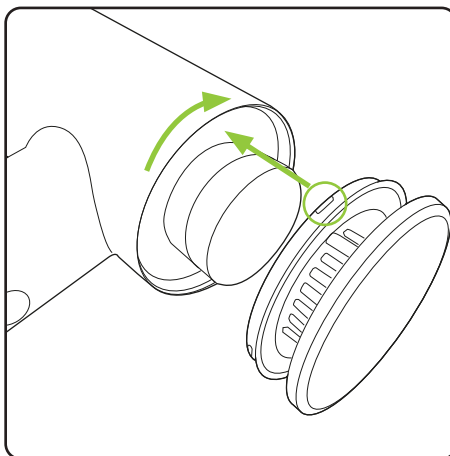
To maintain the hairdryer's performance regularly clean the filter. This hairdryer is fitted with a safety thermostat. In the event of overheating the hairdryer will either stop automatically or run intermittently. In this case the filter may be blocked and need cleaning.



Allow the hair dryer to cool and unplug the from the mains power supply before cleaning. Twist the air inlet cover anti-clockwise and pull to remove.



Remove any dust, lint, hair, or other debris from the filter mesh screen with a dry cloth or a small brush.



Align the tabs on the air inlet cover with the grooves on the body arrow on dryer body. Push in and turn clockwise to secure.

Never use the hairdryer without the filter and air inlet cover fitted as you could damage the motor.

Product Care

- Your product doesn't need much maintenance.
- Cleaning must only be carried out when the hair dryer is cold and unplugged from the mains power supply.
- Wipe the outside of the hairdryer with a dry cloth if it gets dirty. Do not use water, solvents, or polishes to clean the outside of the appliance.
- Regularly clean the filter to maintain performance and life, see page 7.
- Never use the hairdryer without the filter and air inlet cover fitted as you could damage the motor.
- Never immerse the unit in water or any other liquids and do not clean it in a dish washer.

Troubleshooting

The product has stopped or won't work	<ol style="list-style-type: none">1. Filter is blocked. Allow to cool then remove the air inlet cover and clean filter. See page 7.2. Check wall socket is switch on.3. Try another wall socket.4. Check fuse in the plug
---------------------------------------	--

Product support

If these initial tips do not solve your problem we please visit our support area where you can find troubleshooting help including online manuals, FAQs and how-to-videos, as well as genuine spares and replacement parts compatible with your product.

Visit: www.gtech.co.uk/support



Online



support@gtech.co.uk



How to Videos

WARRANTY – REGISTRATION

Visit www.gtech.co.uk/warrantyregistration to register your product to ensure that we have all the information required to provide you with quick and efficient support.

You will need your product's serial code.



If you purchased directly from Gtech, your details are already registered and your 2-year warranty will start automatically.

If you purchased from an authorised Gtech retailer, please register your warranty within 3 months. You will need to provide proof of purchase to support any claim(s) against your warranty.

WARRANTY – TERMS AND CONDITIONS

If your product is within its warranty and has a fault that cannot be resolved from the troubleshooting section or online support, please do the following:

- Contact our Gtech Customer Care Helpline on UK: 08000 308 794, who will go through any troubleshooting with you to identify the fault.
- If your fault can be resolved by a replacement part, this will be sent to you free of charge.
- Following troubleshooting, if your product needs to be replaced, we will arrange collection of your faulty product for inspection, and delivery of a replacement product free of charge.

Your product is guaranteed against material or manufacturing faults for 2 years from the date of purchase (or the delivery date if this is later) subject to the following terms and conditions:

SUMMARY

The guarantee becomes effective at the date of purchase (or the date of delivery if this is later). If a product is repaired or replaced during the warranty period, the warranty period is not started again.

- You must provide proof of delivery/purchase before any work can be carried out on the product. Without this proof, any work carried out will be chargeable. Please keep your receipt or delivery note.
- All work will be carried out by Gtech or its authorised agents.
- Any parts which are replaced will become the property of Gtech.
- The repair or replacement of your product is under guarantee and will not extend the period of guarantee.
- The guarantee provides benefits which are additional to and do not affect your statutory rights as a consumer.

WHAT ISN'T COVERED

Gtech does not guarantee the repair or replacement of a product as a result of:

- Normal wear and tear.
- Use of consumables
- Accidental damage, faults caused by negligent use or lack of care and maintenance, misuse, neglect, careless operation or handling of the product which is not in accordance with operating manual.
- Use of the product for anything other than the normal intended purpose.
- Use of parts and accessories which are not Gtech genuine components.
- Faulty installation (except where installed by Gtech)
- If it is modified in any way.
- Repairs or alterations carried out by parties other than Gtech or its authorised agents.
- Purchasing your product from an unofficial third party (i.e not from Gtech or an official Gtech retailer).
- If you are in doubt as to what is covered by your guarantee, please call the Gtech Customer Care Helpline on UK: 08000 308 794

International orders are subject to a delivery charge for both faulty and non faulty products.

Product Recycling

Many of the electrical items that are thrown away can be repaired or recycled, saving natural resources and helping to protect the environment.

Gtech products are marked with the  symbol indicating they can be recycled, and are covered by legislation for Waste Electrical and Electronic Products (2012/19/EU)

When the product has reached the end of its life both it and the Li-Ion battery it contains should not be disposed of with general household waste. The battery should be removed from the product and both should be disposed of separately at a recognised recycling centre.

Recycling electrical products and batteries is free at your local recycling centre.

To find your nearest centre and discover how easy it is to recycle electrical products visit www.recycle-more.co.uk

Alternatively contact your local council or civic amenity site.

UK
CA

CE





Grey Technology Limited

Brindley Road, Warndon, Worcester WR4 9FB, UK

email: support@gtech.co.uk

telephone: 08000 308 794

www.gtech.co.uk

5806_260113