

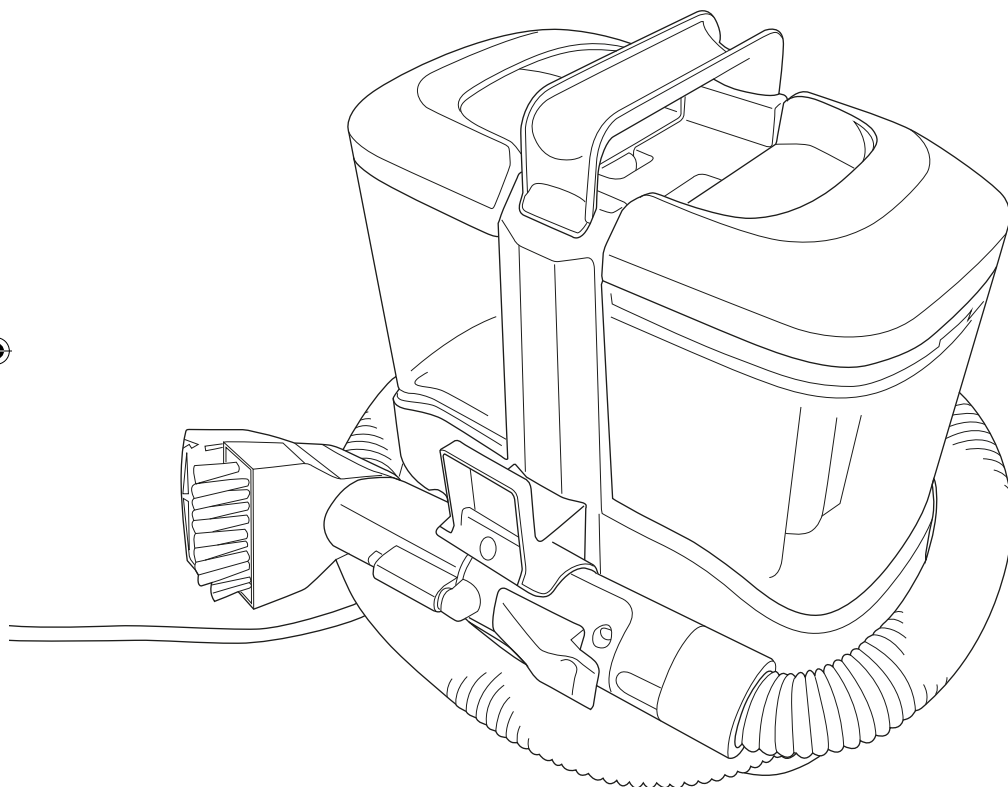


Spot Cleaner

Model number:

SC01

SC02



OPERATING MANUAL

IMPORTANT SAFEGUARDS:



**IMPORTANT: READ ALL INSTRUCTIONS BEFORE USE.
RETAIN INSTRUCTIONS FOR FUTURE REFERENCE.**



Do not use in rain or leave outdoors whilst raining.



WARNING: Basic safety precautions should always be observed when using an electrical appliance, including the following to reduce the risk of fire, electrical shock, or injury:

Personal Safety:

- Always use responsibly. This appliance can be used by children aged from 8 years and above and persons with reduced physical, sensory or mental capabilities or lack of experience and knowledge if they have been given supervision or instruction concerning use of the appliance in a safe way and understand the hazards involved.
- Do not allow to be used as a toy. Do not let children play with the appliance.
- Supervise children using or maintaining the appliance.
- Use only manufacturer's recommended attachments as described in this manual; misuse or use of any accessory or attachment other than those recommended, may present a risk of personal injury.
- Take extra care when cleaning stairs.
- Keep the appliance and accessories away from hot surfaces.
- Do not block the appliances openings or hinder air flow; keep openings free of any objects including dust, lint, clothing, fingers (and all parts of the body).
- Keep hair, loose clothing, fingers, and all parts of body away from openings and moving parts of the appliance and its accessories.
- Particularly keep hair away from openings and moving parts.

Electrical safety:

- Always check that the mains voltage is the same as that marked on the rating plate on the unit.
- Always connect to a properly earthed electrical socket. Do not modify an earthed plug.
- Do not pull the power cord to disconnect from a socket; grasp the plug and pull to disconnect.

- Do not wrap the power cord around the appliance when storing as this may damage the cord.
- Keep the power cord away from hot surfaces and sharp edges.
- Do not stretch or pull the power cord.
- Do not pull or carry by the power cord, use the cord as a handle, close doors on the cord, or pull the cord around sharp edges or corners.
- Never operate this appliance if the power cord or plug is damaged or if it is not working properly. Contact the Gtech customer care helpline for further information.
- The power cord cannot be replaced. If the cord is damaged the appliance should be discarded and replaced.
- Remove the plug from the socket outlet when not in use, and before cleaning, maintaining, or servicing the appliance.
- Do not leave the appliance when plugged in.
- Never handle or use the appliance or plug with wet or damp hands.
- Do not immerse the appliance in water or any other liquids.
- Do not store outdoors. Store indoors in a dry place out of the reach of children.
- Do not store near water or any other liquids.
- Do not expose to rain.
- Do not spray liquid towards other electrical equipment.

Service:

- Before using the appliance and after any impact, check for signs of wear or damage and repair as necessary.
- Do not use the appliance if it is not working as it should, if any part is damaged or defective, or has been dropped, or immersed in water. Contact the Gtech

customer care helpline for further information.

- Repairs should be carried out by a service agent or a suitably qualified person in accordance with relevant safety regulations. Repairs by unqualified persons could be dangerous.
- Do not attempt to carry out any maintenance or repairs that are not shown in this manual.
- Never modify the appliance in any way as this may increase the risk of personal injury.
- Only use replacement parts or accessories provided or recommended by Gtech.

Intended use:

- Use only as described in this manual. Do not use for any purposes other than cleaning.
- This appliance has been designed for domestic wet cleaning only, primarily for cleaning stains and spills from small areas of carpet, rugs, upholstery, and other soft surfaces.
- It is not intended for picking up large quantities of dry debris, such as dust, powder, sand, stones, or other materials.
- Care should be taken not to run over loose objects or the edges of rugs, loose weave carpets, and floor coverings where there are tassels or loose exposed threads. It is advised to test on an inconspicuous area first before use.
- Do not use outdoors in wet conditions.
- Do not use to pick up flammable or combustible liquids, such as petroleum, or use in areas where they may be present.
- Do not use to pick up hazardous materials and chemicals, such as solvents, bleach, ammonia, drain cleaner, oil, strong acid or strong alkali solutions.
- Do not use the appliance in an enclosed space filled with vapours given off by oil base paint, paint thinner, some moth-proofing substances, flammable dust, or other explosive or toxic vapours.
- Do not pick up anything that is burning or smoking, such as cigarettes, matches or hot ashes.
- Do not pick up hard or sharp objects such as glass, nails, screws, coins, etc.
- Do not place or submerge the appliance in standing water or try to clean flooded areas.
- Do not use on concrete, tarmacadam or other rough surfaces.

- Particularly for hard flooring, before cleaning check the area being cleaned is free of any hard debris or objects that could damage the flooring if caught underneath the product, and that the underside of the product is free from foreign objects that could mark the surface.
- Do not use boiling water. Use water below 40°C
- Do not use foaming detergents or cleaning solutions, such as washing up liquid.
- Only use cleaning solution that is suitable for the surfaces being cleaned. Test on small inconspicuous areas prior to use.
- Do not use liquids such as bleach, ammonia, drain cleaner, pesticides, lubricants, that may damage the product.

WARNING:

- Do not use water, solvents, or polishes to clean the outside of the appliance; wipe clean with a dry cloth.
- Never immerse the unit in water.
- Do not clean the appliance or the water tanks in a dish washer.
- Never use the appliance without both water tanks fitted.
- Never use without the filter fitted.
- Keep the appliance on a level surface.
- If storing in very low temperature dry the water tanks to avoid risk of damage from freezing.

FOR HOUSEHOLD USE ONLY



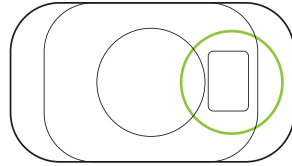
Thank you for choosing Gtech

“Welcome to the Gtech family. I started Gtech to create sensible, easy to use products that do a great job, and hope you get many years of trouble-free performance from your new product.”

Nick Grey – Inventor, owner of Gtech

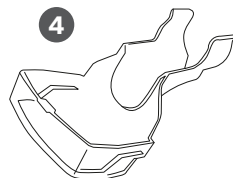
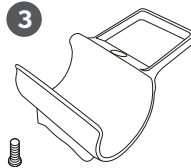
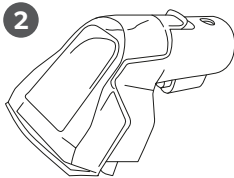
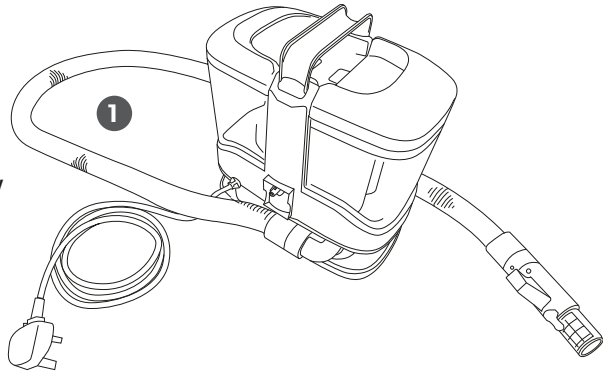
Make a note of your product serial number code for future reference.
You can find this on the bottom of the product.

---~
---~
---~
---~

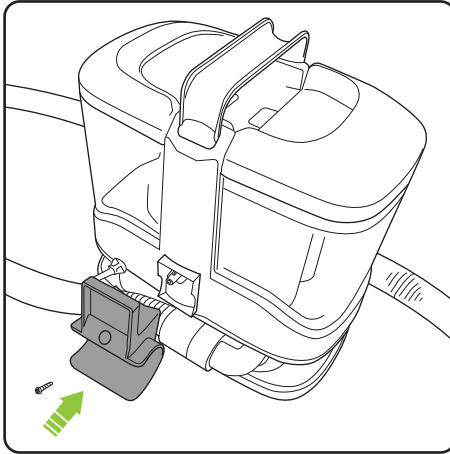


What's in the box

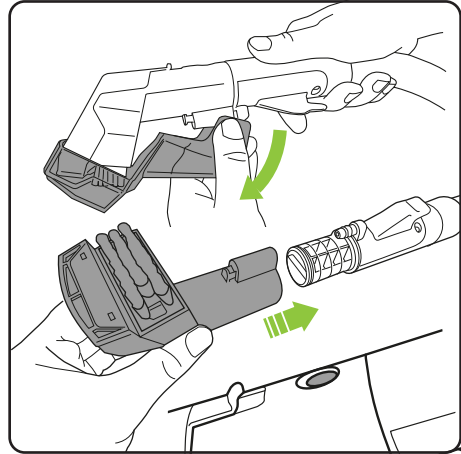
- 1 Main unit
- 2 Cleaning head (packed in water tank)
- 3 Brush holder and screw (packed in water tank)
- 4 Self cleaning cover (fitted on cleaning head)



Assembly

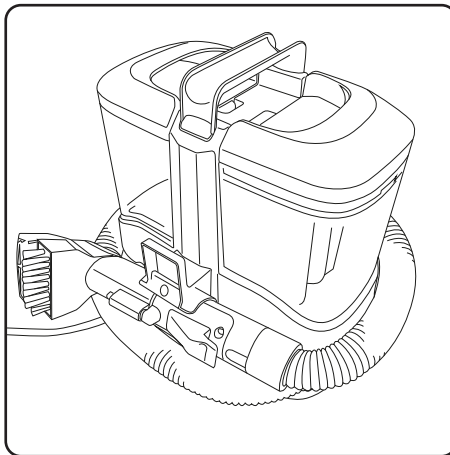


Fit the brush holder to the unit and secure with the screw.

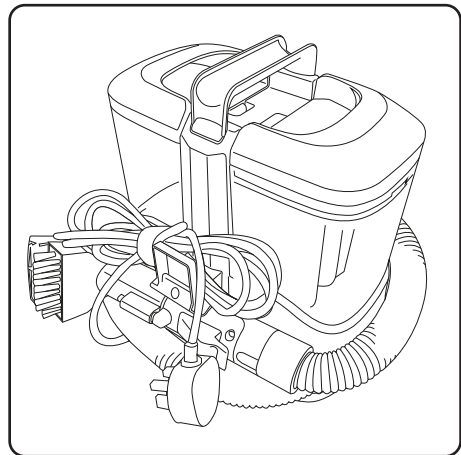


Remove the self-cleaning cover from the cleaning head. Push the cleaning head onto the end of the hose until it clicks into place. Ensure the button is engaged into the hole.

Storage

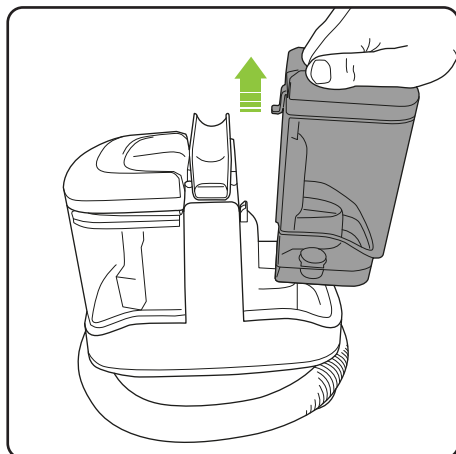


Wrap the hose around the unit and clip the cleaning head into the holder.

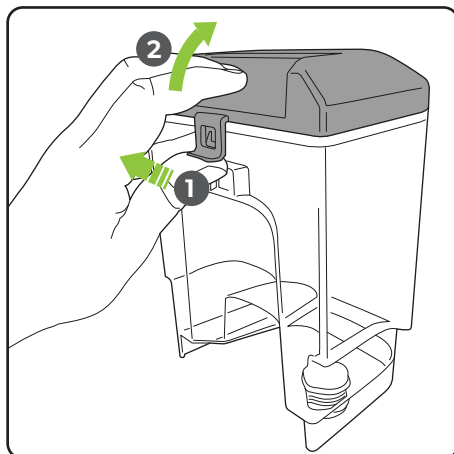


The power cable can be placed around the hook.

Filling clean water tank

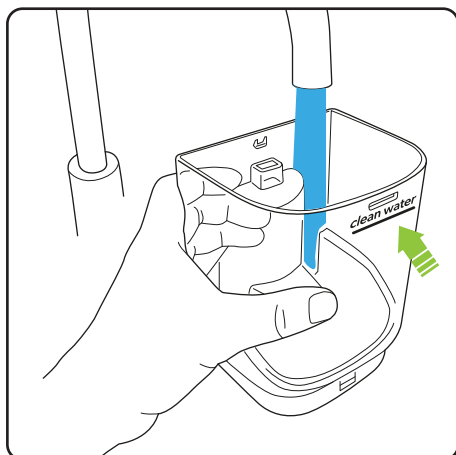


Pull the clean water tank upwards to remove from the unit



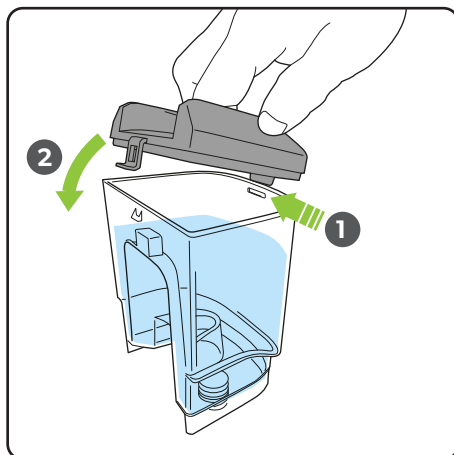
Pull the latch and remove the lid

Only use non-foaming cleaning solution that are suitable for the surface to be cleaned. Do not use cleaning products such as washing up liquid, bleach, or any other cleaning substances or fluids that may damage the product.



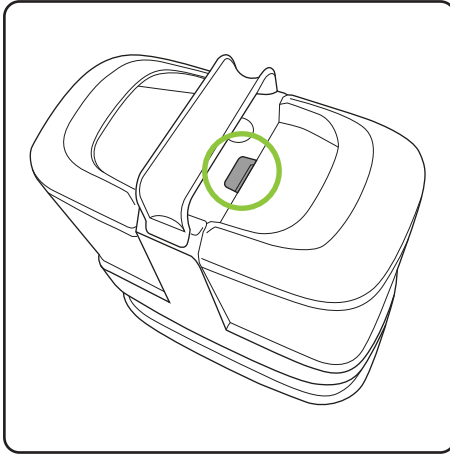
Add clean water. Do not fill above the level marked on the tank.
Use cold or warm water, maximum temperature 40°C

WARNING: do not use boiling water



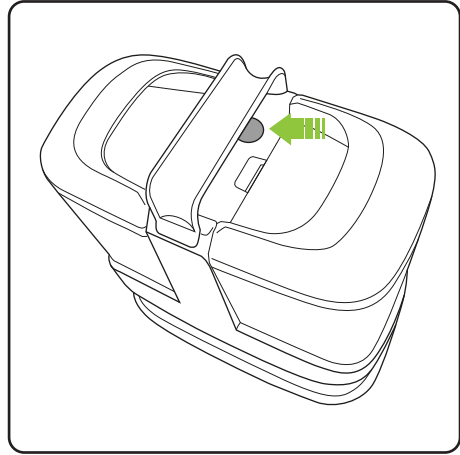
To refit the lid locate the tab into the slot in the tank then push the lid down until it clicks shut.

Operation

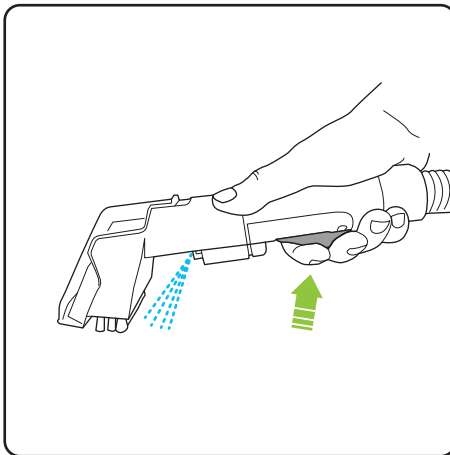


Replace the tank into the unit.
Ensure the latch is located and the tank is securely engaged.

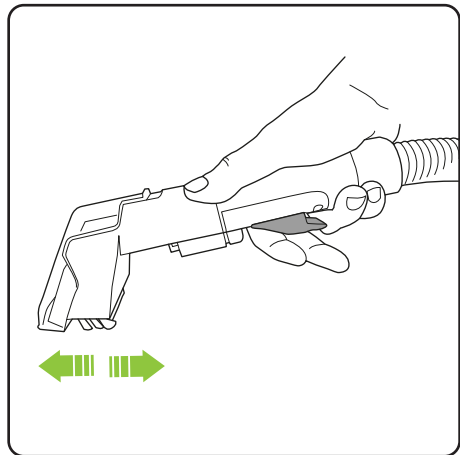
WARNING: do not use without both water tanks fitted.



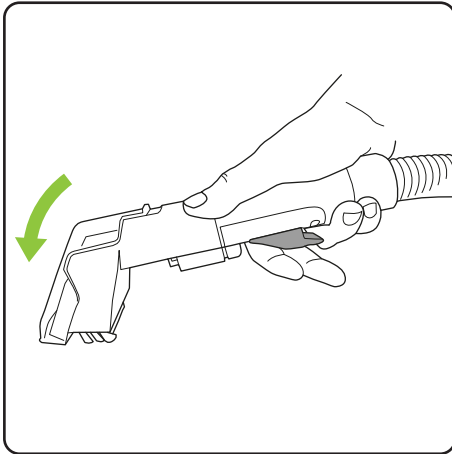
Plug the power cord into a mains supply socket.
Press the power button to switch on.
Press the power button to switch off.



Press and hold the trigger to spray water.
Lightly spray a soiled area and let the water sink in. Release the trigger to stop the spray.



Push the cleaning head backwards and forwards to clean dirt and stains.

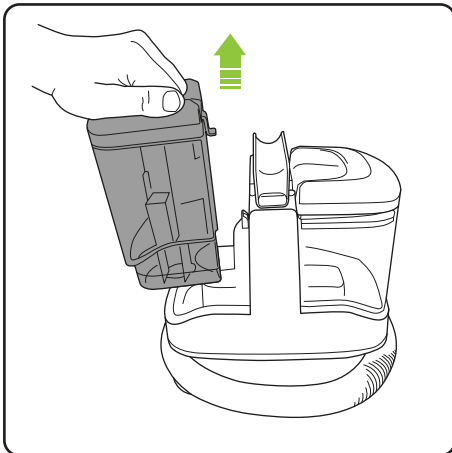


Tilt the cleaning head forwards and push firmly to the surface to collect excess water

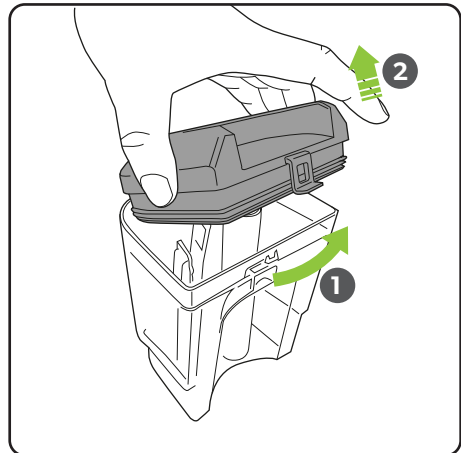


Do not collect water above the line on the waste water tank.

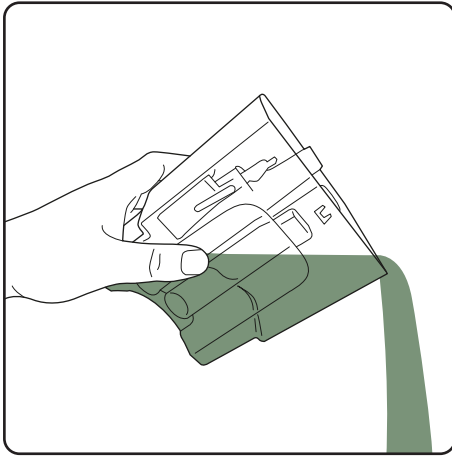
Emptying the waste water tank



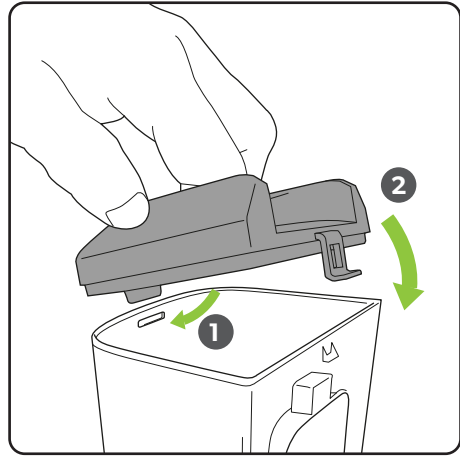
Pull the waste water tank upwards to remove from the unit



Pull the latch and remove the lid.

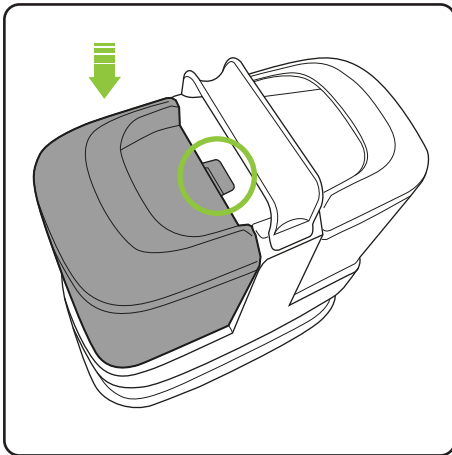


Pour away the waste water and rinse the tank clean.



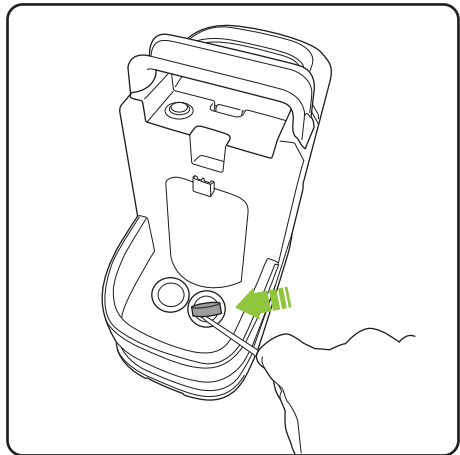
To refit the lid locate the tab into the slot in the tank then close to the latch.

Cleaning the filter



Replace the tank into the unit. Ensure the latch is located and the tank is securely engaged.

WARNING: do not use without both water tanks fitted.



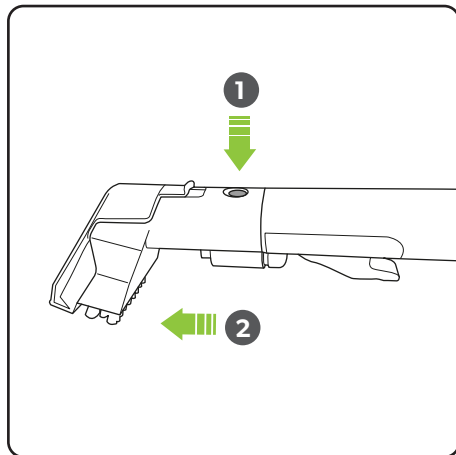
Remove the waste water tank. Use a suitable tool to carefully remove the filter from the hole. Rinse the filter with clean cold water. Carefully push the filter back into place.

WARNING: do not remove the rubber seal. Do not use without the filter fitted.

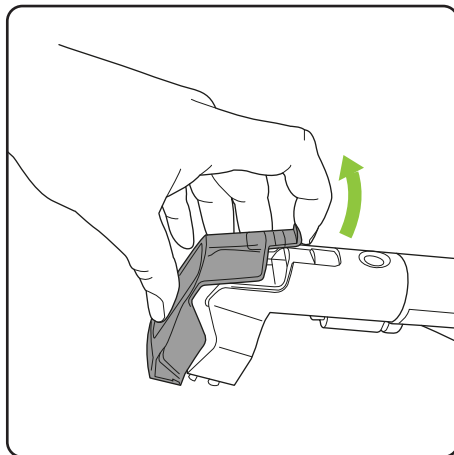
Product care and maintenance

Switch off and remove the plug from the mains power supply before any carrying out any cleaning or maintenance.

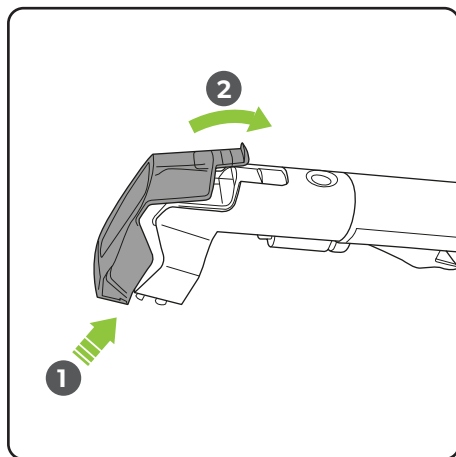
Your product doesn't need much maintenance: keep the filter, water tanks, and brush clean, and wipe the outside with a dry cloth if it gets dirty, including under the water tanks.



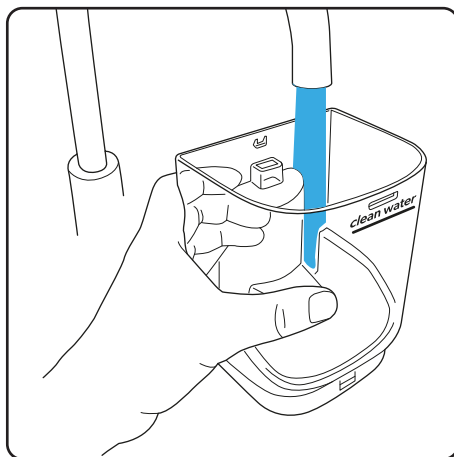
The cleaning head can be removed from the hose to clean. Push the button and pull the brush to remove.



The front cover of the cleaning head can be removed to clean.



To re-fit the cover locate the bottom edge and then clip into place.

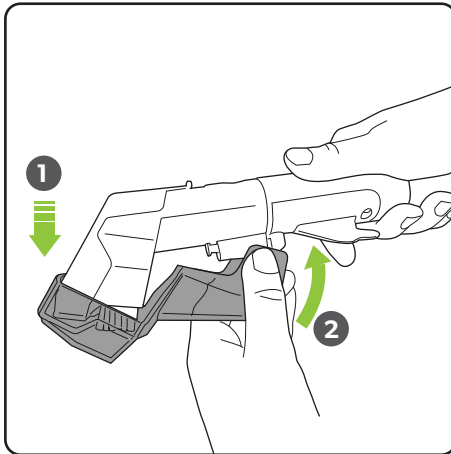


The water tanks can be rinsed with clean water. Use cold or warm water, maximum temperature 40°C

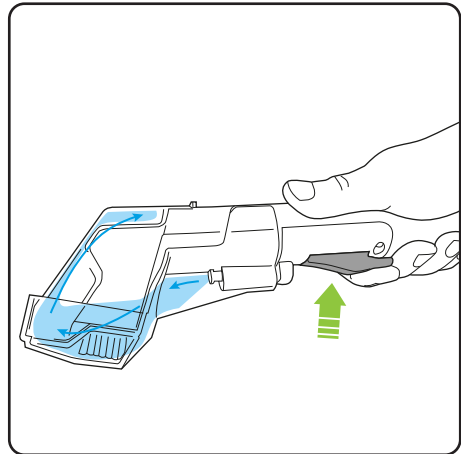
WARNING: do not use boiling water.
Do not clean in a dish washer.

Do not use water, solvents, or polishes to clean the outside of the appliance; wipe clean with a dry cloth.

Self-cleaning attachment



To fit the self-cleaning cover, hook the front of the cleaning head into the part then clip the back part to the handle.



Start the unit then activate the trigger to circulate water around the cleaning head. Release the trigger and continue to run the unit until any excess water is cleared from the cleaning head and hose.

Troubleshooting

Problem	Solution
Product is not cleaning well	<p>Check the water level in the clean water tank.</p> <p>Check both water tanks are correctly fitted.</p> <p>Check both water tank lids are correctly fitted.</p> <p>Check for any blockages in the cleaning head or hose.</p> <p>Check for any damage to the hose.</p> <p>Use the self cleaning cover and/or remove and clean the cleaning head.</p>
No suction or low suction	<p>Empty the waste water tank. Page 8</p> <p>Check waste water tank lid is correctly fitted.</p> <p>Check for any blockages in the cleaning head or hose.</p> <p>Check for any damage to the hose.</p> <p>Check if the filter is blocked. Clean the filter – page 9</p>
No water spray	<p>Check the water level in the clean water tank.</p> <p>Check the clean water tank is correctly fitted.</p> <p>Remove and clean the cleaning head.</p> <p>Trigger is not working. Contact Gtech</p> <p>Water pump is not working. Contact Gtech</p>
Product has stopped or won't work	<p>Check wall socket is switched on.</p> <p>Try another wall socket.</p> <p>Check the fuse in the plug.</p> <p>Check the cord and plug for any damage.</p>

Product support

If these initial tips do not solve your problem we please visit our support area where you can find troubleshooting help including online manuals, FAQs and how-to-videos, as well as genuine spares and replacement parts compatible with your product.

Visit: www.gtech.co.uk/support



Online



support@gtech.co.uk




How to Videos

TECHNICAL SPECIFICATION

Rated voltage/frequency	220-240VAC 50/60Hz
Rated power	450W
Waterproof	IPX4

Product Recycling

Many of the electrical items that are thrown away can be repaired or recycled, saving natural resources and helping to protect the environment.

Gtech products are marked with the  symbol indicating they can be recycled, and are covered by legislation for Waste Electrical and Electronic Products (2012/19/EU)

When the product has reached the end of its life it should not be disposed of with general household waste. The product should be disposed of at a recognised recycling centre.

Recycling electrical products and batteries is free at your local recycling centre.

To find your nearest centre and discover how easy it is to recycle electrical products visit www.recycle-more.co.uk

Alternatively contact your local council or civic amenity site.

UK
CA

CE



FOR DOMESTIC USE ONLY

WARRANTY – REGISTRATION

Visit www.gtech.co.uk/warrantyregistration to register your product and ensure that we have all the information required to provide you with quick and efficient support.

You will need your product's serial number. You can find this on the bottom of the product.



If you purchased directly from Gtech, your details are already registered and your 2-year warranty will start automatically.

If you purchased from an authorised Gtech retailer, please register your warranty within 3 months. You will need to provide proof of purchase to support any claim(s) against your warranty.

WARRANTY – TERMS AND CONDITIONS

If your product is within its warranty and has a fault that cannot be resolved from the troubleshooting section or online support, please do the following:

- Contact our Gtech Customer Care Helpline on UK: 08000 308 794, who will go through any troubleshooting with you to identify the fault.
- If your fault can be resolved by a replacement part, this will be sent to you free of charge.
- Following troubleshooting, if your product needs to be replaced, we will arrange collection of your faulty product for inspection, and delivery of a replacement product free of charge.

Your product is guaranteed against material or manufacturing faults for 2 years from the date of purchase (or the delivery date if this is later) subject to the following terms and conditions:

SUMMARY

The guarantee becomes effective at the date of purchase (or the date of delivery if this is later). If a product is repaired or replaced during the warranty period, the warranty period is not started again.

- You must provide proof of delivery/purchase before any work can be carried out on the product. Without this proof, any work carried out will be chargeable. Please keep your receipt or delivery note.
- All work will be carried out by Gtech or its authorised agents.
- Any parts which are replaced will become the property of Gtech.
- The repair or replacement of your product is under guarantee and will not extend the period of guarantee.
- The guarantee provides benefits which are additional to and do not affect your statutory rights as a consumer.

WHAT ISN'T COVERED

Gtech does not guarantee the repair or replacement of a product as a result of:

- Normal wear and tear (e.g. cleaning fluid).
- Use of consumables
- Accidental damage, faults caused by negligent use or lack of care and maintenance, misuse, neglect, careless operation or handling of the product which is not in accordance with operating manual.
- Blockages. Please refer to the operating manual for details of how to unblock your product.
- Use of the product for anything other than the normal domestic household purposes.
- Use of parts and accessories which are not Gtech genuine components.
- Faulty installation (except where installed by Gtech)
- If it is modified in any way.
- Repairs or alterations carried out by parties other than Gtech or its authorised agents.
- Purchasing your product from an unofficial third party (i.e. not from Gtech or an official Gtech retailer).
- If you are in doubt as to what is covered by your guarantee, please call the Gtech Customer Care Helpline on UK: 08000 308 794

International orders are subject to a delivery charge for both faulty and non faulty products.

Notes



Grey Technology Limited

Brindley Road, Warndon, Worcester WR4 9FB, UK

email: support@gtech.co.uk

telephone: 08000 308 794

www.gtech.co.uk

5824_241210