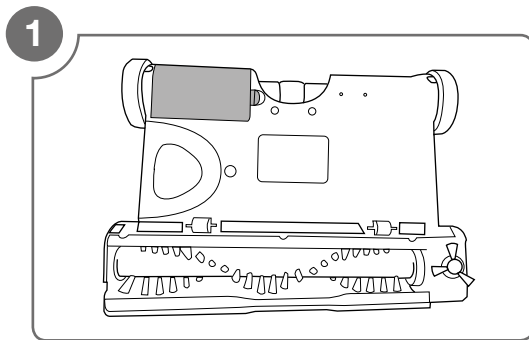
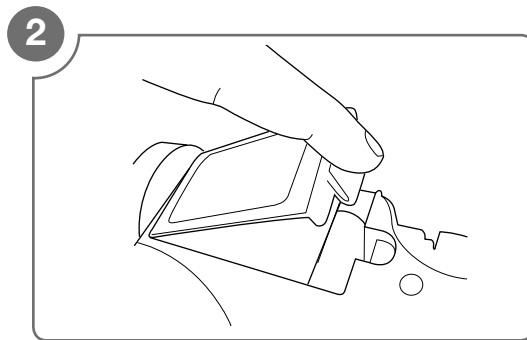


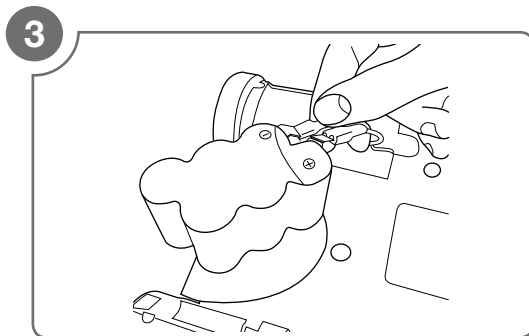
Battery Replacement Instructions



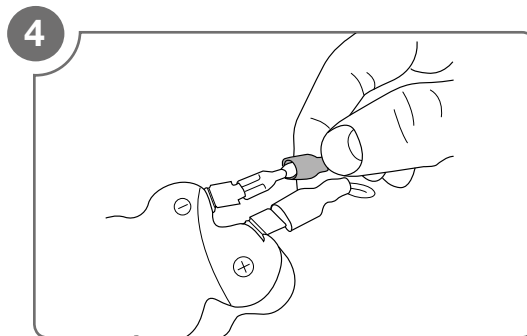
1 Locate the battery cover.



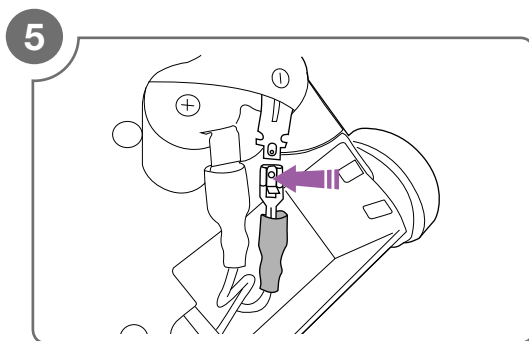
2 Lift off the battery cover.



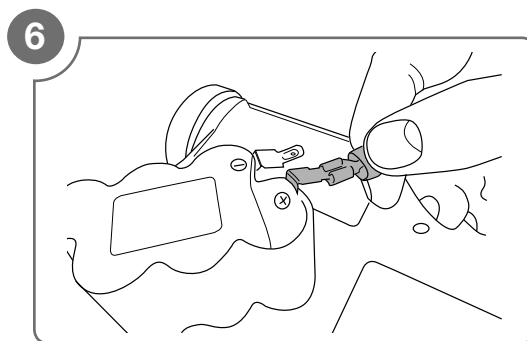
3 Lift out the battery pack. Straighten up the cable connectors so you can handle them more easily.



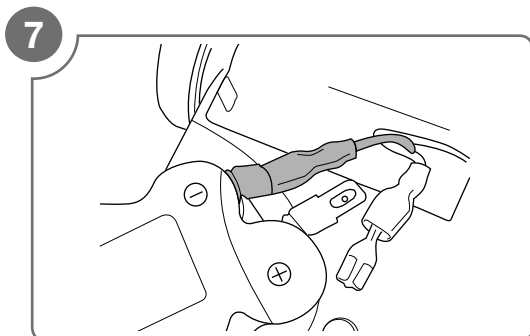
4 Slide plastic cover off the **BLACK** cable connector **ONLY**. Leave cover on the red cable connector.



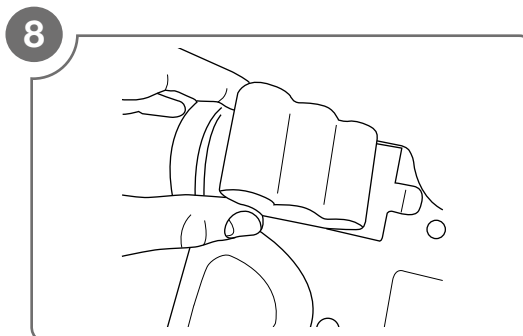
5 Gently press down fixing latch on cable connector.



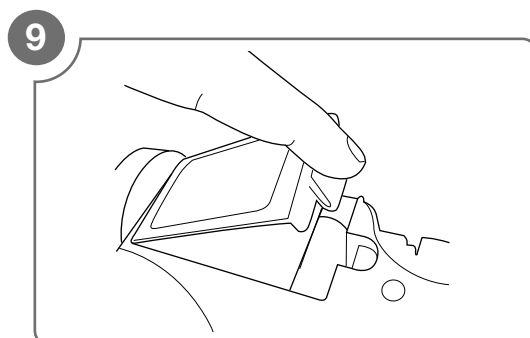
6 Repeat steps 4 and 5 for the **RED** wire.



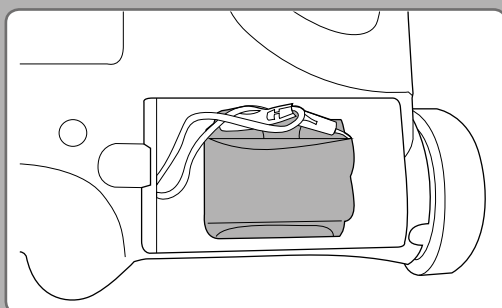
7 Re-attach the wires to the new battery, attaching the **BLACK** wire first. Fold the terminals back along the battery.



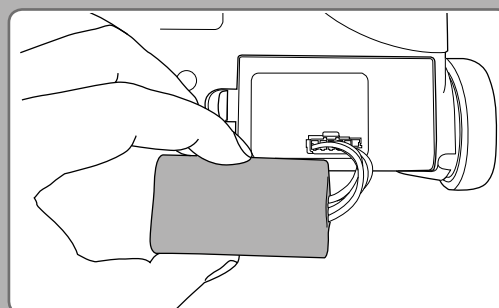
8 Put the battery back into the compartment and replace the cover.



9 Push the battery in and replace battery cover.



The SW26 has a smaller battery but with similar connectors.



The Lithium ion battery for the SW22 has a five-pin connector that clips into the sweeper.

Need more help? Call the Gtech Customer Service Center on 01905 345 891