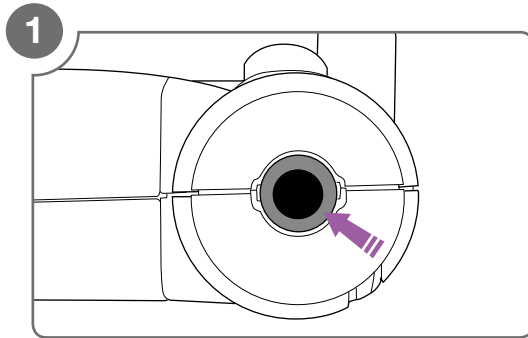


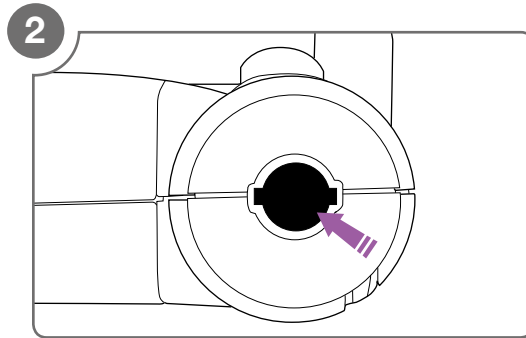
## Wheel Replacement Instructions



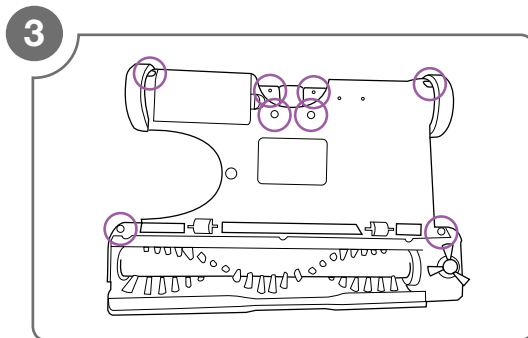
1x Phillips Screw Driver



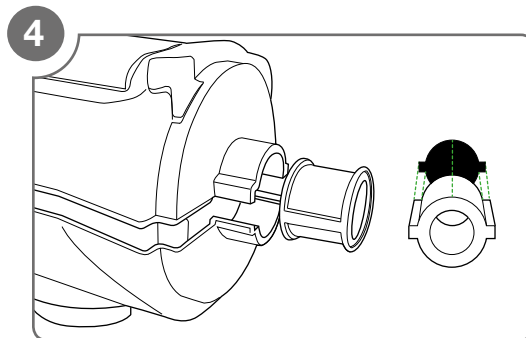
**1** Check to see if the sleeve is in place, as above. If it is then go straight to stage 5.



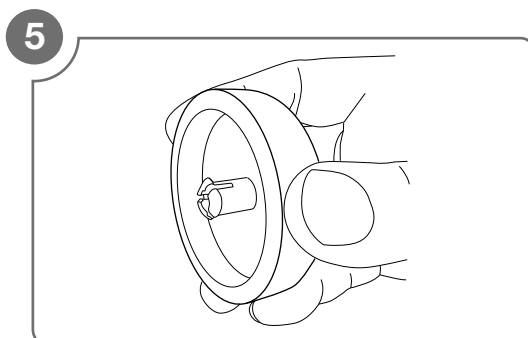
**2** If the sleeve is not in place, as above, then carry on to stage 3.



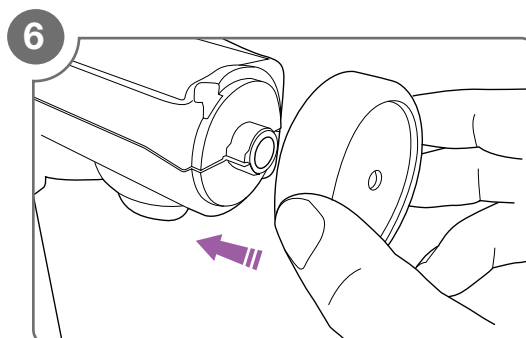
**3** Remove dust tray. Unscrew all 8 screws, as marked on the illustration.



**4** Pull the two sections apart only enough to place the sleeve into place. Ensure the side bars are horizontal in the housing. Replace all 8 screws.



**5** Ensure the replacement wheel does not have a sleeve already on it.



**6** Push the replacement wheel into the sleeve until it clicks into place.